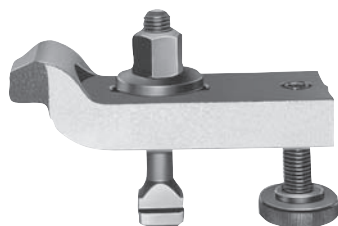


Clamp strap assemblies

goose-neck

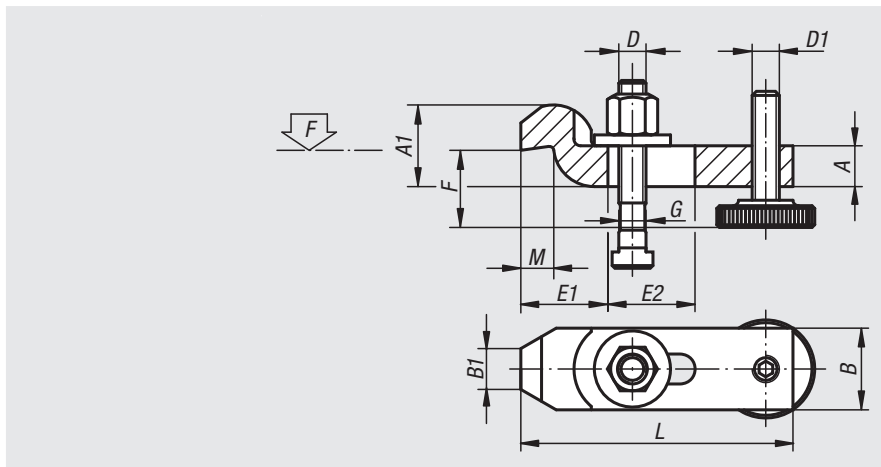


Material:
Carbon steel.
Screws tempered to 8.8.

Version:
Straps painted.
Screws black oxidised.

Sample order:
nlm 04193-1616

Note:
"F" is dependent on the depth of the DIN 650 slot.



Order No.	L	A	A1	B	B1	E1	E2	F	G	D	D1	M	F kN
04193-1010	100	15	30	30	15	32	32	22-46	10	M10x80	M10	12	13,9
04193-1212	125	20	40	40	20	40	40	28-58	12	M12x100	M12	16	20,2
04193-1214	125	20	40	40	20	40	40	28-56	14	M12x100	M12	16	20,2
04193-1616	160	25	50	50	25	49	50	36-72	16	M16x125	M16	20	37,8
04193-1618	160	25	50	50	25	49	50	36-69	18	M16x125	M16	20	37,8
04193-2020	200	30	60	60	30	55	70	43-92	20	M20x160	M20	24	58,8
04193-2022	200	30	60	60	30	55	70	43-92	22	M20x160	M20	24	58,8

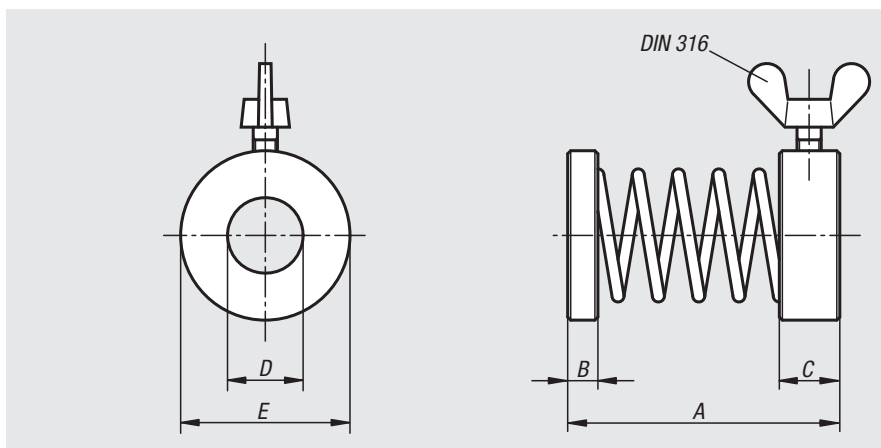
Clamp springs



Material:
Thrust and retaining ring carbon steel.
Spring, spring steel.

Version:
Thrust and retaining ring black oxidised.
Spring bright.

Sample order:
nlm 04195-12046



Order No.	A	B	C	D	E	Wing nuts to DIN 316
04195-08029	29	2	6	8,5	16	M4x6
04195-12046	46	3	8	13	25	M4x10
04195-16050	50	4	8	16,5	28	M5x10