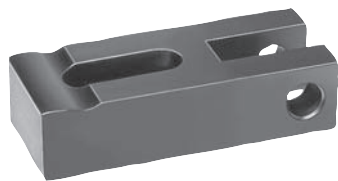


Clamp straps

hinge heel



Material:

Carbon steel 1.1191

Version:

Tempered and black oxidised.

Sample order:

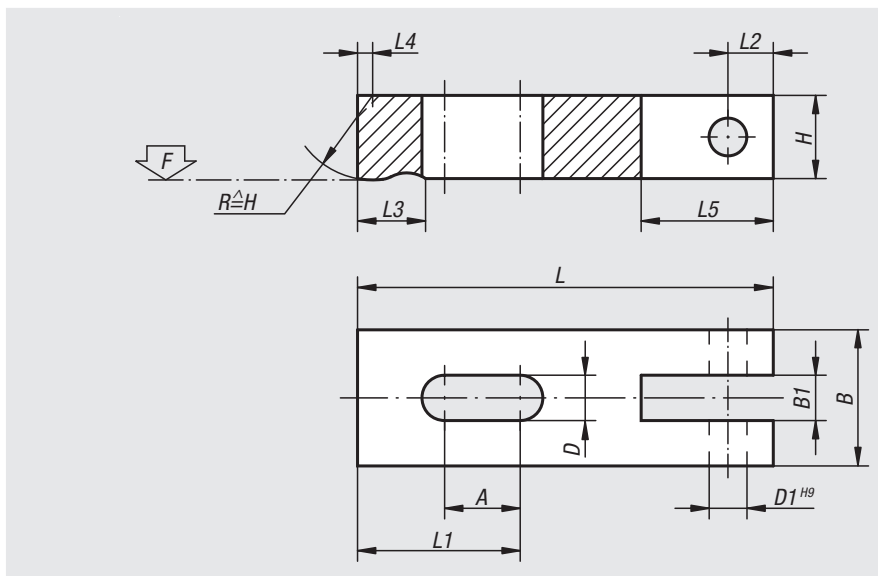
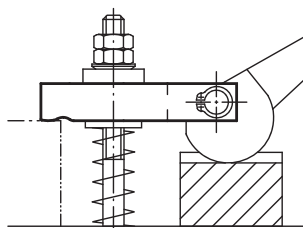
nIm 04170-12

Note:

Suitable hinge pins 04250.

Cam levers 04290.

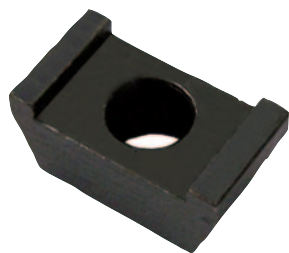
When using spherical washers 07420 use Form G.



Order No.	L	L1	L2	L3	L4	L5	B	B1	H	D	D1	A	F max. kN
04170-08	63	28	8	12	2	24	25	9,5	16	9	8	16	8,77
04170-10	80	36	10	16	2,5	29	32	12,5	20	11	10	20	13,9
04170-12	100	45	12	22	3	36	40	14,5	25	14	12	25	20,2

Clamp straps mini

double sided



Material:

Steel.

Version:

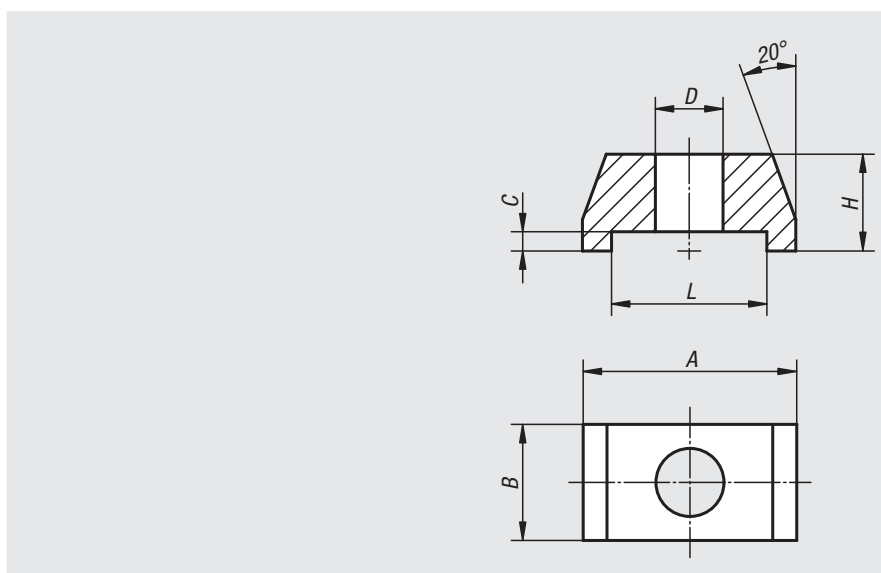
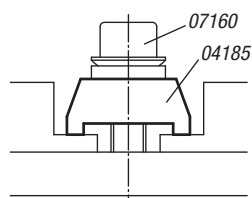
Black oxidised.

Sample order:

nIm 04185-012

Note:

Two workpieces can be clamped simultaneously from one clamping point using the mini clamp strap.



Order No.	A	B	C	D	H	L	Clamping force kN
04185-006	22	12	2	7	10	16	4,82
04185-008	22	12	2	9	10	16	8,77
04185-010	35	19	3	11	15	24	13,9
04185-012	35	19	3	13	15	24	20,2
04185-016	50	29	5	17	25	36	37,8