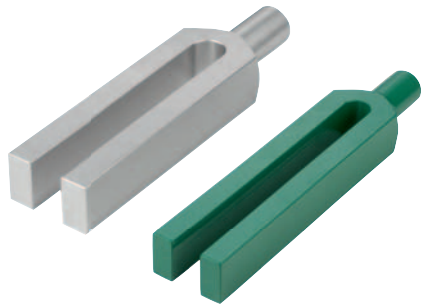


Clamp straps open U

DIN 6315 C, round pin, steel or aluminium



Material:

Carbon steel or EN AW-7022.

Version:

Steel painted.

Aluminium bright.

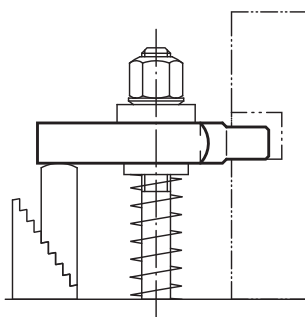
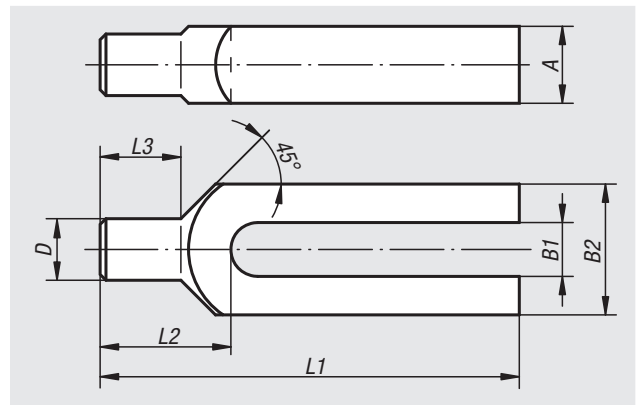
Sample order:

nIm 04150-161

Note:

When using spherical washers 07420 use Form G.

The stated clamping forces are only valid for steel straps.



Order No.	Main material	L1	A	B1	B2	D	L2	L3	for screw	Clamping force kN
04150-08	high carbon steel	100	15	9	30	12	30	18	M8	8,77
04150-10	high carbon steel	125	20	11	30	16	36	24	M10	13,9
04150-12	high carbon steel	160	25	14	40	20	45	30	M12/M14	20,2
04150-121	high carbon steel	200	25	14	40	20	45	30	M12/M14	20,2
04150-16	high carbon steel	200	30	18	50	24	55	36	M16/M18	37,8
04150-161	high carbon steel	250	30	18	50	24	55	36	M16/M18	37,8
04150-20	high carbon steel	250	40	22	60	30	65	45	M20/M22	58,8
04150-201	high carbon steel	315	40	22	60	30	65	45	M20/M22	58,8
04150-208	aluminium	100	15	9	30	12	30	18	M8	-
04150-210	aluminium	125	20	11	30	16	36	24	M10	-
04150-212	aluminium	160	28	14	40	20	45	30	M12/M14	-
04150-216	aluminium	200	30	18	50	24	55	36	M16/M18	-
04150-2161	aluminium	250	30	18	50	24	55	36	M16/M18	-
04150-220	aluminium	250	40	22	60	30	65	45	M20/M22	-