

Clamp straps open-U

with pin and protective insert



Material:

Carbon steel.

Soft pad POM or polyurethane 99 Shore A.

Version:

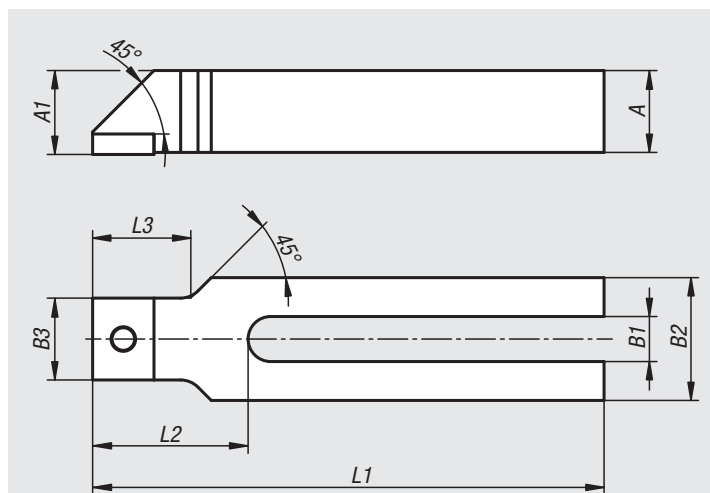
Black oxidised.

Sample order:

nIm 04131-110008

Note:

The pressed in plastic inserts offer optimal damage protection for sensitive workpiece faces.



Order No.	Component material	L1	A	A1	B1	B2	B3	L2	L3	for screws
04131-110008	polyacetal	100	15	15,5	9	30	16	32	18	M8
04131-112510	polyacetal	125	20	20,5	11	30	20	38	24	M10
04131-116012	polyacetal	160	25	25,5	14	40	24	47	30	M12
04131-210008	polyurethane	100	15	15,5	9	30	16	32	18	M8
04131-212510	polyurethane	125	20	20,5	11	30	20	38	24	M10
04131-216012	polyurethane	160	25	25,5	14	40	24	47	30	M12