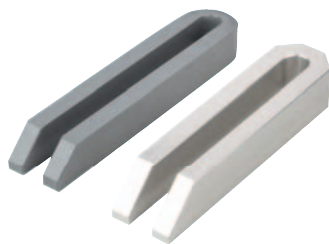


# Clamp straps open U

DIN 6315, steel or aluminium



## Material:

Carbon steel or EN AW-7022.

## Version:

Steel painted.

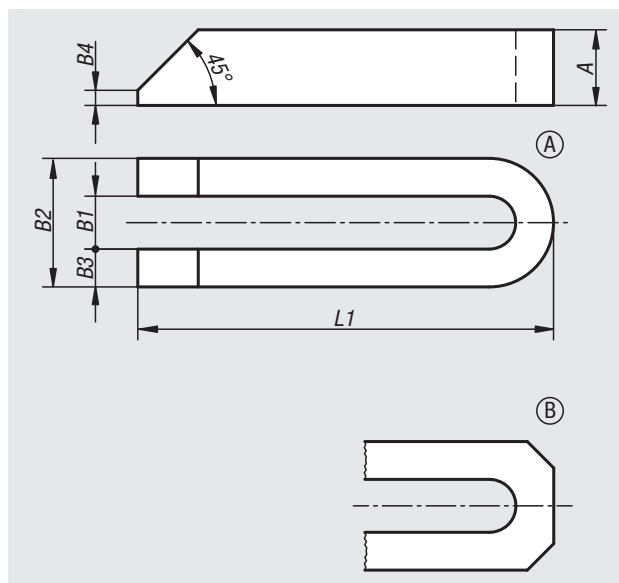
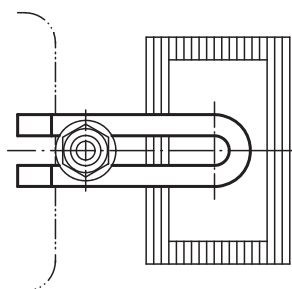
Aluminium bright.

## Sample order:

nIm 04110-06

## Note:

When using spherical washers use the wide series 07420 Form G.



Order No.	Main material	Form	L1	A	B1	B2	B3	B4	for screw
04110-06	high carbon steel	A	60	12	6,6	18	6	3	M6
04110-08	high carbon steel	A	80	15	9	25	8	4	M8
04110-10	high carbon steel	A	100	20	11	31	10	5	M10
04110-12	high carbon steel	A	125	25	14	38	12	6	M12/M14
04110-121	high carbon steel	A	160	25	14	38	12	6	M12/M14
04110-122	high carbon steel	A	200	25	14	38	12	6	M12/M14
04110-16	high carbon steel	A	160	30	18	48	15	8	M16/M18
04110-161	high carbon steel	A	200	30	18	48	15	8	M16/M18
04110-162	high carbon steel	A	250	40	18	48	15	10	M16/M18
04110-20	high carbon steel	A	200	40	22	52	15	10	M20/M22
04110-201	high carbon steel	A	250	40	22	62	20	10	M20/M22
04110-202	high carbon steel	A	315	40	22	62	20	10	M20/M22
04110-24	high carbon steel	A	200	40	26	66	20	10	M24
04110-241	high carbon steel	A	250	40	26	66	20	10	M24
04110-242	high carbon steel	A	315	40	26	66	20	10	M24
04110-301	high carbon steel	A	250	50	33	73	20	12	M30/M32
04110-30	high carbon steel	A	315	50	33	73	20	12	M30/M32
04110-302	high carbon steel	A	400	50	33	73	20	12	M30/M32
04110-40	high carbon steel	A	400	60	40	100	30	12	M36
04110-401	high carbon steel	A	600	60	40	100	30	12	M36
04110-206	aluminium	B	60	12	7	19	6	3	M6
04110-208	aluminium	B	80	15	9	25	8	4	M8
04110-210	aluminium	B	100	20	11	31	10	5	M10
04110-212	aluminium	B	125	25	14	38	12	6	M12/M14
04110-2121	aluminium	B	160	28	14	38	12	6	M12/M14
04110-216	aluminium	B	160	30	18	48	15	8	M16/M18
04110-2161	aluminium	B	200	36	18	48	15	8	M16/M18
04110-220	aluminium	B	200	40	22	52	15	10	M20/M22
04110-2201	aluminium	B	250	40	22	62	20	10	M20/M22
04110-224	aluminium	B	200	40	26	66	20	10	M24
04110-2241	aluminium	B	250	40	26	66	20	10	M24
04110-230	aluminium	B	315	50	34	74	20	12	M30/M32