

Clamp straps

assorted, long slot

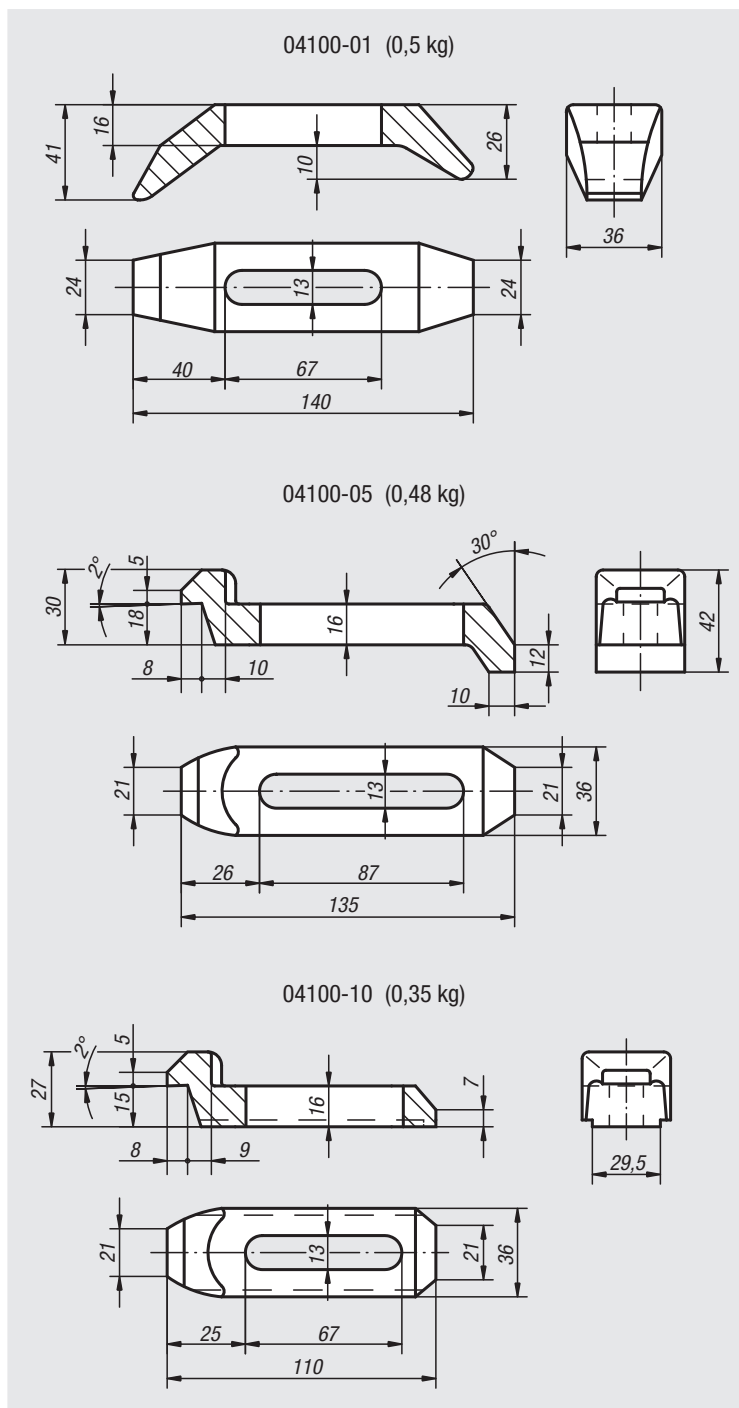
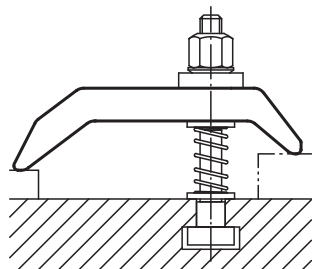


Material:
Carbon steel 1.7225

Version:
Tempered to 1000 N/mm², black oxidised.

Sample order:
nlm 04100-10

Note:
These clamp straps with long slot are also used with the compact clamp strap module 04200.



Order No.	Item
04100-01	Clamp Strap
04100-05	Clamp Strap
04100-10	Clamp Strap