

# Clamp straps

with flattened ball



### Material:

Straps carbon steel.  
Balls roller bearing steel.

### Version:

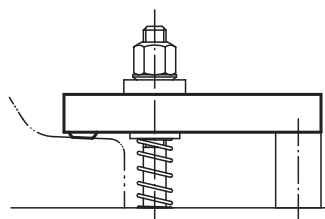
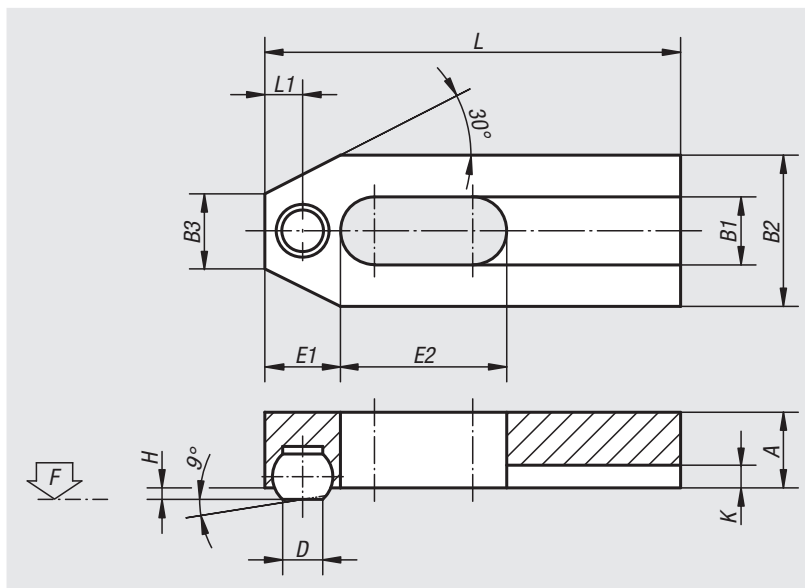
Strap black oxidised.  
Ball hardened, bright.

### Sample order:

nIm 04081-08

### Note:

When using spherical washers 07420 use Form G.  
Ball secured against rotation.



Order No.	L	L1	A	B1	B2	B3	D	H	K	Ball Ø	E1	E2	F kN	for screw
04081-06	50	5	10	7	20	8	5,5	1,6	2,5	8,5	10	20	4,82	M6
04081-08	60	6,5	12	9	25	10	7,2	2	3	10	13	22	8,77	M8
04081-10	80	7,5	15	11	30	12	8,6	2,7	3,5	12	15	30	13,9	M10
04081-12	125	10,5	20	13	40	14	10,5	3,5	4	16	21	50	20,2	M12