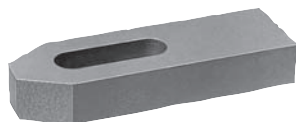


# Clamp straps

DIN 6314 straight, steel or aluminium



### Material:

Carbon steel or EN AW-7022.

### Version:

Steel painted.

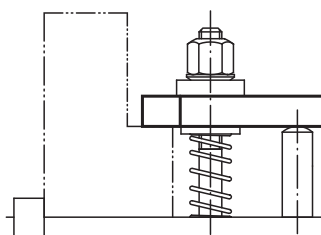
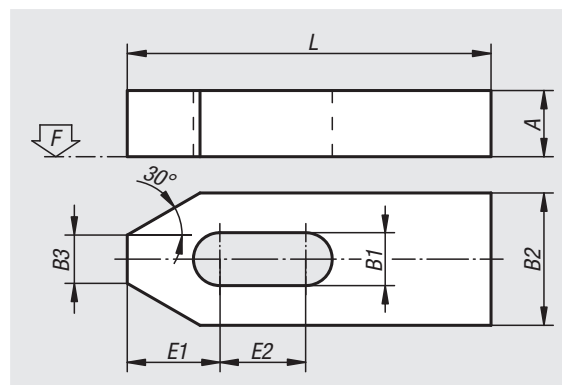
Aluminium bright.

### Sample order:

nIm 04080-16

### Note:

When using spherical washers use the wide series 07420 Form G.



Order No. high carbon steel	Order No. aluminium	L	A	B1	B2	B3	E1	E2	F kN	for screw
04080-06	04080-206	50	10	7	20	8	13,5	13	4,82	M6
04080-08	04080-208	60	12	9	25	10	14,5	13	8,77	M8
04080-10	04080-210	80	15	11	30	12	20,5	19	13,9	M10
04080-12	04080-212	100	20	14	40	14	28	26	20,2	M12/M14
04080-14	04080-214	125	20	14	40	14	28	36	20,2	M12/M14
04080-16	04080-216	125	25	18	50	18	35	27	37,8	M16/M18
04080-18	04080-218	160	25	18	50	18	35	47	37,8	M16/M18
04080-20	04080-220	160	30	22	60	22	41	38	58,8	M20/M22
04080-201	04080-2201	200	30	22	60	22	41	58	58,8	M20/M22
04080-24	04080-224	200	30	26	70	26	48	54	84,7	M24
04080-241	04080-2241	250	35	26	70	26	48	79	84,7	M24
04080-30	04080-230	250	40	34	80	34	62	66	135	M30/M32
04080-301	04080-2301	315	50	34	80	34	62	96	135	M30/M32