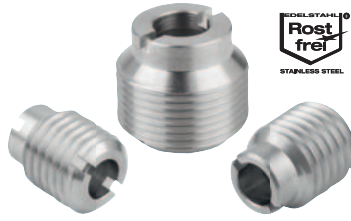


# Locating bushes stainless steel

for ball lock pins



**Material:**

Stainless steel 1.4305.

**Version:**

Bright.

**Sample order:**

nIm 03425-10512

**Note:**

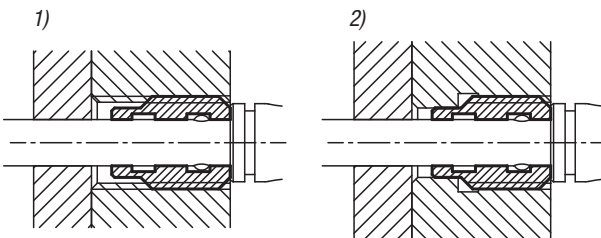
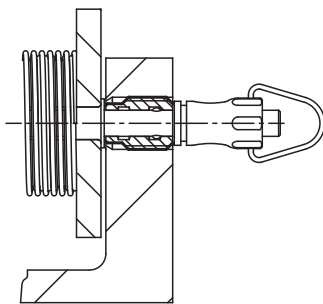
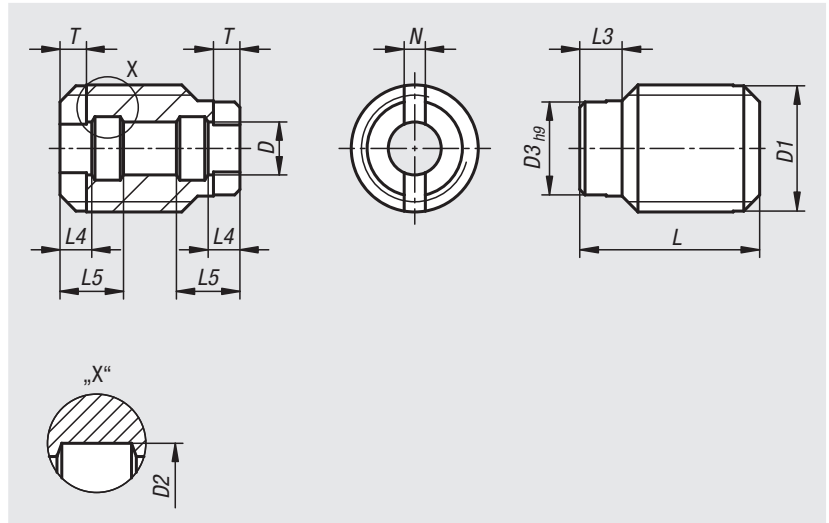
The locating bushes are ideal for easy and quick positioning of ball lock pins with head-end lock.

**Advantages:**

The adapter bushes can be used from both sides. Additional centring of the adapter bush is provided by the centring collar (D3).

**Drawing reference:**

- 1) without centring
- 2) with centring



Order No.	D	D1	D2	D3	L	L3	L4	L5	N	T
03425-10512	5	M12	6	9	17	4	3	6	2	2,5
03425-10616	6	M16	7,5	12	18	5	3	7	2	2,5
03425-10816	8	M16	10	12	20,5	5	3,5	8,5	2	2,5
03425-11024	10	M24x1,5	13	18	21,5	5	3,5	9	2,5	2,5
03425-11224	12	M30x1,5	15	24	22,5	5	3,5	9,5	2,5	2,5
03425-11630	16	M30x1,5	20	24	27	5	4,1	11,1	2,5	3