

# Ball lock pins



## Material:

Grip thermoplastic.  
 Push button 1.4305 stainless steel.  
 Pin 1.4305 stainless steel.  
 Balls 1.4125 stainless steel.  
 Spring 1.4310 stainless steel wire.



## Version:

Grip black or traffic red RAL 3020.  
 Stainless steel bright.

## Sample order:

nIm 03420-002606050  
 (include length L e.g. 050 for L = 50 mm.)

## Note:

Ball lock pins are used for easy fastening or joining of components or workpieces.

The two balls are disengaged by pressing the push button and the pin can be slipped into holes in the workpieces. When the push button is released, the balls lock the connection securely. If required, the ball lock pins can be fitted with a retaining cable.

Shear force double shear (F) = S · τ aB max.

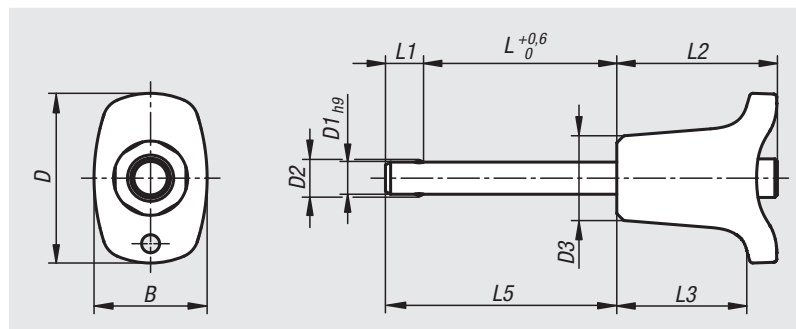
The values given for the shear force are the theoretical breaking load.

These are non-binding reference values without consideration of safety factors and exclude any liability. The values given are for information purposes only and do not constitute a legally binding assurance of properties.

The load values have been calculated in accordance with DIN 50141. Each user must determine individually whether the ball lock pin is suitable for the respective application.

Different materials in which the ball lock pins are used, weather conditions and wear can influence the determined values.

## Accessories:



Bushing for ball lock pins 03197  
 Safety spiral cable 03199  
 Retaining cable with loop 03199  
 Key ring 03199

Order No. black	B	D	D1	D2	D3	L	L1	L2	L3	L5	Receiving hole H11	Shearing force double shear max.kN
03420-002605***	17,6	26,4	5	5,5	13,2	10/15/20/25/30	5,9	25	20,2	15,9/20,9/25,9/30,9/35,9	5	15
03420-002606***	17,6	26,4	6	6,85	13,2	10/15/20/25/30/35/40/45/50	6,8	25	20,2	16,8/21,8/26,8/31,8/36,8/41,8/46,8/51,8/56,8	6	22
03420-003308***	23	33,2	8	9,5	17,3	20/25/30/35/40/45/50	7,8	33	26,1	27,8/32,8/37,8/42,8/47,8/52,8/57,8	8	38
03420-003310***	23	33,2	10	12	17,3	20/25/30/35/40/45/50/60	8,9	33	26,1	28,9/33,9/38,9/43,9/48,9/53,9/58,9/68,9	10	60
03420-004612***	33	45,9	12	14,5	26,3	25/30/35/40/45/50/60/70/80	9,9	39,5	31,3	34,9/39,9/44,9/49,9/54,9/59,9/69,9/79,9/89,9	12	86
03420-004616***	33	45,9	16	19	26,3	30/35/40/45/50/60/70/80	13,1	39,5	31,3	43,1/48,1/53,1/58,1/63,1/73,1/83,1/93,1	16	153

Order No. red RAL 3020	B	D	D1	D2	D3	L	L1	L2	L3	L5	Receiving hole H11	Shearing force double shear max.kN
03420-00842605***	17,6	26,4	5	5,5	13,2	10/15/20/25/30	5,9	25	20,2	15,9/20,9/25,9/30,9/35,9	5	15
03420-00842606***	17,6	26,4	6	6,85	13,2	10/15/20/25/30/35/40/45/50	6,8	25	20,2	16,8/21,8/26,8/31,8/36,8/41,8/46,8/51,8/56,8	6	22
03420-00843308***	23	33,2	8	9,5	17,3	20/25/30/35/40/45/50	7,8	33	26,1	27,8/32,8/37,8/42,8/47,8/52,8/57,8	8	38
03420-00843310***	23	33,2	10	12	17,3	20/25/30/35/40/45/50/60	8,9	33	26,1	28,9/33,9/38,9/43,9/48,9/53,9/58,9/68,9	10	60
03420-00844612***	33	45,9	12	14,5	26,3	25/30/35/40/45/50/60/70/80	9,9	39,5	31,3	34,9/39,9/44,9/49,9/54,9/59,9/69,9/79,9/89,9	12	86
03420-00844616***	33	45,9	16	19	26,3	30/35/40/45/50/60/70/80	13,1	39,5	31,3	43,1/48,1/53,1/58,1/63,1/73,1/83,1/93,1	16	153

# Ball lock pins

with high shear strength



## Material:

Grip thermoplastic.  
Push button 1.4305 stainless steel.  
Pin 1.4542 stainless steel.  
Balls 1.4125 stainless steel.  
Spring 1.4310 stainless steel wire.

## Version:

Grip black or traffic red RAL 3020.  
Stainless steel bright.

## Sample order:

nIm 03420-012606050  
(include length L e.g. 050 for L = 50 mm.)

## Note:

Ball lock pins are used for easy fastening or joining of components. The two balls are disengaged by pressing the push button and the pin can be slipped into holes in the workpieces. When the push button is released, the balls lock the connection securely.

Shear force double shear (F) = S · τ · aB max.

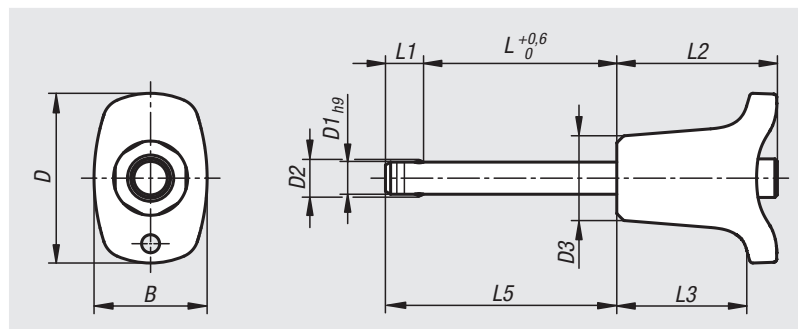
The values given for the shear force are the theoretical breaking load.

These are non-binding reference values without consideration of safety factors and exclude any liability. The values given are for information purposes only and do not constitute a legally binding assurance of properties.

The load values have been calculated in accordance with DIN 50141. Each user must determine individually whether the ball lock pin is suitable for the respective application.

Different materials in which the ball lock pins are used, weather conditions and wear can influence the determined values.

Ball lock pins with high shear strength are identified by a groove marking on the pin.

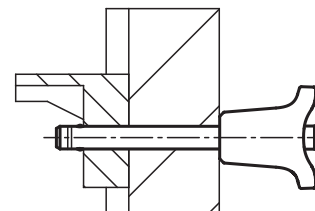


## Advantages:

Higher loading in comparison to standard ball lock pins. The pins made from 1.4542 stainless steel is hardened, has a higher shear resistance and is extremely durable.

## Accessories:

Bushing for ball lock pins 03197  
Safety spiral cable 03199  
Retaining cable with loop 03199  
Key ring 03199



Order No. black	B	D	D1	D2	D3	L	L1	L2	L3	L5	Receiving hole H11	Shearing force double shear max.kN
03420-012605***	17,6	26,4	5	5,5	13,2	10/15/20/25/30	5,9	25	20,2	15,9/20,9/25,9/30,9/35,9	5	24
03420-012606***	17,6	26,4	6	6,85	13,2	10/15/20/25/30/35/40/45/50	6,8	25	20,2	16,8/21,8/26,8/31,8/36,8/41,8/46,8/51,8/56,8	6	35
03420-013308***	23	33,2	8	9,5	17,3	20/25/30/35/40/45/50	7,8	33	26,1	27,8/32,8/37,8/42,8/47,8/52,8/57,8	8	63
03420-013310***	23	33,2	10	12	17,3	20/25/30/35/40/45/50/60	8,9	33	26,1	28,9/33,9/38,9/43,9/48,9/53,9/58,9/68,9	10	100
03420-014612***	33	45,9	12	14,5	26,3	25/30/35/40/45/50/60/70/80	9,9	39,5	31,3	34,9/39,9/44,9/49,9/54,9/59,9/69,9/79,9/89,9	12	144
03420-014616***	33	45,9	16	19	26,3	30/35/40/45/50/60/70/80	13,1	39,5	31,3	43,1/48,1/53,1/58,1/63,1/73,1/83,1/93,1	16	257

Order No. red RAL 3020	B	D	D1	D2	D3	L	L1	L2	L3	L5	Receiving hole H11	Shearing force double shear max.kN
03420-01842605***	17,6	26,4	5	5,5	13,2	10/15/20/25/30	5,9	25	20,2	15,9/20,9/25,9/30,9/35,9	5	24
03420-01842606***	17,6	26,4	6	6,85	13,2	10/15/20/25/30/35/40/45/50	6,8	25	20,2	16,8/21,8/26,8/31,8/36,8/41,8/46,8/51,8/56,8	6	35
03420-01843308***	23	33,2	8	9,5	17,3	20/25/30/35/40/45/50	7,8	33	26,1	27,8/32,8/37,8/42,8/47,8/52,8/57,8	8	63
03420-01843310***	23	33,2	10	12	17,3	20/25/30/35/40/45/50/60	8,9	33	26,1	28,9/33,9/38,9/43,9/48,9/53,9/58,9/68,9	10	100
03420-01844612***	33	45,9	12	14,5	26,3	25/30/35/40/45/50/60/70/80	9,9	39,5	31,3	34,9/39,9/44,9/49,9/54,9/59,9/69,9/79,9/89,9	12	144
03420-01844616***	33	45,9	16	19	26,3	30/35/40/45/50/60/70/80	13,1	39,5	31,3	43,1/48,1/53,1/58,1/63,1/73,1/83,1/93,1	16	257

# Ball lock pins

with L-grip



## Material:

Grip thermoplastic.  
Push button 1.4305 stainless steel.  
Pin 1.4305 stainless steel.  
Balls 1.4125 stainless steel.  
Spring 1.4310 stainless steel wire.

## Version:

Grip black or traffic red RAL 3020.  
Stainless steel bright.

## Sample order:

nIm 03420-102606050  
(include length L e.g. 050 for L = 50 mm.)

## Note:

Ball lock pins are used for easy fastening or joining of components or workpieces.

The two balls are disengaged by pressing the push button and the pin can be slipped into holes in the workpieces. When the push button is released, the balls lock the connection securely. If required, the ball lock pins can be fitted with a retaining cable.

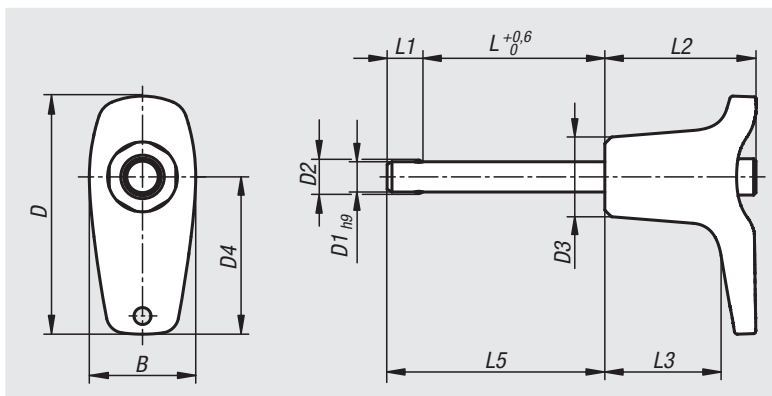
Shear force double shear (F) = S · τ aB max.

The values given for the shear force are the theoretical breaking load. These are non-binding reference values without consideration of safety factors and exclude any liability. The values given are for information purposes only and do not constitute a legally binding assurance of properties.

The load values have been calculated in accordance with DIN 50141. Each user must determine individually whether the ball lock pin is suitable for the respective application.

Different materials in which the ball lock pins are used, weather conditions and wear can influence the determined values.

## Accessories:



Bushing for ball lock pins 03197

Safety spiral cable 03199

Retaining cable with loop 03199

Key ring 03199

Order No. black	B	D	D1	D2	D3	D4	L	L1	L2	L3	L5	Receiving hole H11	Shearing force double shear max.kN
03420-102605***	17,6	39,3	5	5,5	13,2	26	10/15/20/25/30	5,9	25	19,2	15,9/20,9/25,9/30,9/35,9	5	15
03420-102606***	17,6	39,3	6	6,85	13,2	26	10/15/20/25/30/35/40/45/50	6,8	25	19,2	16,8/21,8/26,8/31,8/36,8/41,8/46,8/51,8/56,8	6	22
03420-103508***	23	52,2	8	9,5	17,3	35,4	20/25/30/35/40/45/50	7,8	33	24,2	27,8/32,8/37,8/42,8/47,8/52,8/57,8	8	38
03420-103510***	23	52,2	10	12	17,3	35,4	20/25/30/35/40/45/50/60	8,9	33	24,2	28,9/33,9/38,9/43,9/48,9/53,9/58,9/68,9	10	60
03420-104712***	33	70,2	12	14,5	26,3	47	25/30/35/40/45/50/60/70/80	9,9	39,5	28,4	34,9/39,9/44,9/49,9/54,9/59,9/69,9/79,9/89,9	12	86
03420-104716***	33	70,2	16	19	26,3	47	30/35/40/45/50/60/70/80	13,1	39,5	28,4	43,1/48,1/53,1/58,1/63,1/73,1/83,1/93,1	16	153

Order No. red RAL 3020	B	D	D1	D2	D3	D4	L	L1	L2	L3	L5	Receiving hole H11	Shearing force double shear max.kN
03420-10842605***	17,6	39,3	5	5,5	13,2	26	10/15/20/25/30	5,9	25	19,2	15,9/20,9/25,9/30,9/35,9	5	15
03420-10842606***	17,6	39,3	6	6,85	13,2	26	10/15/20/25/30/35/40/45/50	6,8	25	19,2	16,8/21,8/26,8/31,8/36,8/41,8/46,8/51,8/56,8	6	22
03420-10843508***	23	52,2	8	9,5	17,3	35,4	20/25/30/35/40/45/50	7,8	33	24,2	27,8/32,8/37,8/42,8/47,8/52,8/57,8	8	38
03420-10843510***	23	52,2	10	12	17,3	35,4	20/25/30/35/40/45/50/60	8,9	33	24,2	28,9/33,9/38,9/43,9/48,9/53,9/58,9/68,9	10	60
03420-10844712***	33	70,2	12	14,5	26,3	47	25/30/35/40/45/50/60/70/80	9,9	39,5	28,4	34,9/39,9/44,9/49,9/54,9/59,9/69,9/79,9/89,9	12	86
03420-10844716***	33	70,2	16	19	26,3	47	30/35/40/45/50/60/70/80	13,1	39,5	28,4	43,1/48,1/53,1/58,1/63,1/73,1/83,1/93,1	16	153

# Ball lock pins with L-grip

with high shear strength



**Material:**

- Grip thermoplastic.
- Push button 1.4305 stainless steel.
- Pin 1.4542 stainless steel.
- Balls 1.4125 stainless steel.
- Spring 1.4310 stainless steel wire.



**Version:**

- Grip black or traffic red RAL 3020.
- Stainless steel bright.

**Sample order:**

nIm 03420-112606050  
(include length L e.g. 050 for L = 50 mm.)

**Note:**

Ball lock pins are used for easy fastening or joining of components. The two balls are disengaged by pressing the push button and the pin can be slipped into holes in the workpieces. When the push button is released, the balls lock the connection securely.

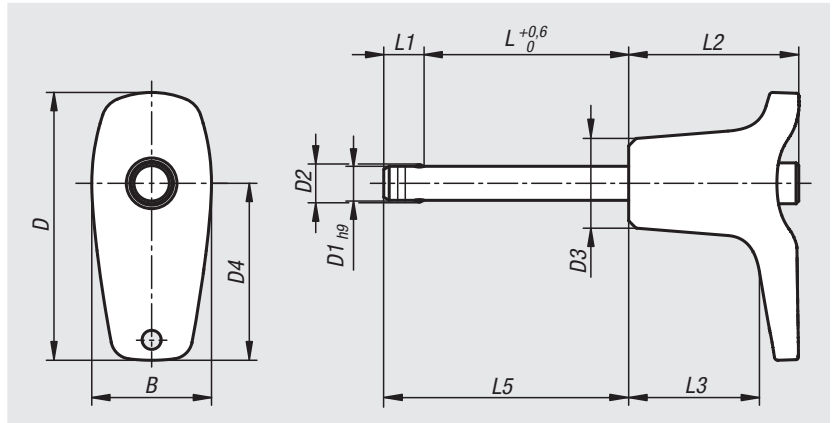
Shear force double shear (F) = S · τ aB max.

The values given for the shear force are the theoretical breaking load. These are non-binding reference values without consideration of safety factors and exclude any liability. The values given are for information purposes only and do not constitute a legally binding assurance of properties.

The load values have been calculated in accordance with DIN 50141. Each user must determine individually whether the ball lock pin is suitable for the respective application.

Different materials in which the ball lock pins are used, weather conditions and wear can influence the determined values.

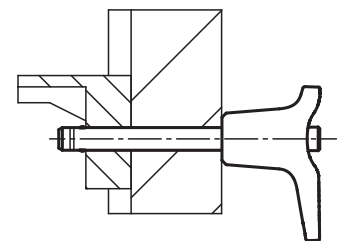
Ball lock pins with high shear strength are identified by a groove marking on the pin.



Higher loading in comparison to standard ball lock pins. The pins made from 1.4542 stainless steel is hardened, has a higher shear resistance and is extremely durable.

**Accessories:**

- Bushing for ball lock pins 03197
- Safety spiral cable 03199
- Retaining cable with loop 03199
- Key ring 03199



**Advantages:**

Order No. black	B	D	D1	D2	D3	D4	L	L1	L2	L3	L5	Receiving hole H11	Shearing force double shear max.kN
03420-112605***	17,6	39,3	5	5,5	13,2	26	10/15/20/25/30	5,9	25	19,2	15,9/20,9/25,9/30,9/35,9	5	24
03420-112606***	17,6	39,3	6	6,85	13,2	26	10/15/20/25/30/35/40/45/50	6,8	25	19,2	16,8/21,8/26,8/31,8/36,8/41,8/46,8/51,8/56,8	6	35
03420-113508***	23	52,2	8	9,5	17,3	35,4	20/25/30/35/40/45/50	7,8	33	24,2	27,8/32,8/37,8/42,8/47,8/52,8/57,8	8	63
03420-113510***	23	52,2	10	12	17,3	35,4	20/25/30/35/40/45/50/60	8,9	33	24,2	28,9/33,9/38,9/43,9/48,9/53,9/58,9/68,9	10	100
03420-114712***	33	70,2	12	14,5	26,3	47	25/30/35/40/45/50/60/70/80	9,9	39,5	28,4	34,9/39,9/44,9/49,9/54,9/59,9/69,9/79,9/89,9	12	144
03420-114716***	33	70,2	16	19	26,3	47	30/35/40/45/50/60/70/80	13,1	39,5	28,4	43,1/48,1/53,1/58,1/63,1/73,1/83,1/93,1	16	257

Order No. red RAL 3020	B	D	D1	D2	D3	D4	L	L1	L2	L3	L5	Receiving hole H11	Shearing force double shear max.kN
03420-11842605***	17,6	39,3	5	5,5	13,2	26	10/15/20/25/30	5,9	25	19,2	15,9/20,9/25,9/30,9/35,9	5	24
03420-11842606***	17,6	39,3	6	6,85	13,2	26	10/15/20/25/30/35/40/45/50	6,8	25	19,2	16,8/21,8/26,8/31,8/36,8/41,8/46,8/51,8/56,8	6	35
03420-11843508***	23	52,2	8	9,5	17,3	35,4	20/25/30/35/40/45/50	7,8	33	24,2	27,8/32,8/37,8/42,8/47,8/52,8/57,8	8	63
03420-11843510***	23	52,2	10	12	17,3	35,4	20/25/30/35/40/45/50/60	8,9	33	24,2	28,9/33,9/38,9/43,9/48,9/53,9/58,9/68,9	10	100
03420-11844712***	33	70,2	12	14,5	26,3	47	25/30/35/40/45/50/60/70/80	9,9	39,5	28,4	34,9/39,9/44,9/49,9/54,9/59,9/69,9/79,9/89,9	12	144
03420-11844716***	33	70,2	16	19	26,3	47	30/35/40/45/50/60/70/80	13,1	39,5	28,4	43,1/48,1/53,1/58,1/63,1/73,1/83,1/93,1	16	257

01000 02000 03000 04000 05000 06000 07000 08000 09000 10000 12000

# Ball lock pins

with T-grip



## Material:

Grip thermoplastic.  
Push button 1.4305 stainless steel.  
Pin 1.4305 stainless steel.  
Balls 1.4125 stainless steel.  
Spring 1.4310 stainless steel wire.



## Version:

Grip black or traffic red RAL 3020.  
Stainless steel bright.

## Sample order:

nIm 03420-204606050  
(include length L e.g. 050 for L = 50 mm.)

## Note:

Ball lock pins are used for easy fastening or joining of components or workpieces.

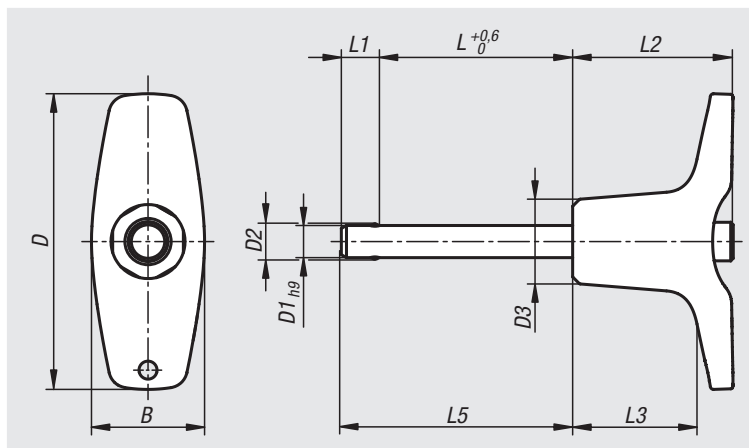
The two balls are disengaged by pressing the push button and the pin can be slipped into holes in the workpieces. When the push button is released, the balls lock the connection securely. If required, the ball lock pins can be fitted with a retaining cable.

Shear force double shear (F) = S · τ · aB max.

The values given for the shear force are the theoretical breaking load. These are non-binding reference values without consideration of safety factors and exclude any liability. The values given are for information purposes only and do not constitute a legally binding assurance of properties.

The load values have been calculated in accordance with DIN 50141. Each user must determine individually whether the ball lock pin is suitable for the respective application.

Different materials in which the ball lock pins are used, weather conditions and wear can influence the determined values.



## Accessories:

Bushing for ball lock pins 03197  
Safety spiral cable 03199  
Retaining cable with loop 03199  
Key ring 03199

Order No. black	B	D	D1	D2	D3	L	L1	L2	L3	L5	Receiving hole H11	Shearing force double shear max.kN
03420-204605***	17,6	46	5	5,5	13,2	10/15/20/25/30	5,9	25	19,4	15,9/20,9/25,9/30,9/35,9	5	15
03420-204606***	17,6	46	6	6,85	13,2	10/15/20/25/30/35/40/45/50	6,8	25	19,4	16,8/21,8/26,8/31,8/36,8/41,8/46,8/51,8/56,8	6	22
03420-206308***	23	62,9	8	9,5	17,3	20/25/30/35/40/45/50	7,8	33	24,4	27,8/32,8/37,8/42,8/47,8/52,8/57,8	8	38
03420-206310***	23	62,9	10	12	17,3	20/25/30/35/40/45/50/60	8,9	33	24,4	28,9/33,9/38,9/43,9/48,9/53,9/58,9/68,9	10	60
03420-208212***	33	81,8	12	14,5	26,3	25/30/35/40/45/50/60/70/80	9,9	39,5	28,8	34,9/39,9/44,9/49,9/54,9/59,9/69,9/79,9/89,9	12	86
03420-208216***	33	81,8	16	19	26,3	30/35/40/45/50/60/70/80	13,1	39,5	28,8	43,1/48,1/53,1/58,1/63,1/73,1/83,1/93,1	16	153

Order No. red RAL 3020	B	D	D1	D2	D3	L	L1	L2	L3	L5	Receiving hole H11	Shearing force double shear max.kN
03420-20844605***	17,6	46	5	5,5	13,2	10/15/20/25/30	5,9	25	19,4	15,9/20,9/25,9/30,9/35,9	5	15
03420-20844606***	17,6	46	6	6,85	13,2	10/15/20/25/30/35/40/45/50	6,8	25	19,4	16,8/21,8/26,8/31,8/36,8/41,8/46,8/51,8/56,8	6	22
03420-20846308***	23	62,9	8	9,5	17,3	20/25/30/35/40/45/50	7,8	33	24,4	27,8/32,8/37,8/42,8/47,8/52,8/57,8	8	38
03420-20846310***	23	62,9	10	12	17,3	20/25/30/35/40/45/50/60	8,9	33	24,4	28,9/33,9/38,9/44,9/48,9/54,9/58,9/68,9	10	60
03420-20848212***	33	81,8	12	14,5	26,3	25/30/35/40/45/50/60/70/80	9,9	39,5	28,8	34,9/39,9/44,9/49,9/54,9/59,9/69,9/79,9/89,9	12	86
03420-20848216***	33	81,8	16	19	26,3	30/35/40/45/50/60/70/80	13,1	39,5	28,8	43,1/48,1/53,1/58,1/63,1/73,1/83,1/93,1	16	153

# Ball lock pins with T-grip

with high shear strength



**Material:**

- Grip thermoplastic.
- Push button 1.4305 stainless steel.
- Pin 1.4542 stainless steel.
- Balls 1.4125 stainless steel.
- Spring 1.4310 stainless steel wire.



**Version:**

- Grip black or traffic red RAL 3020.
- Stainless steel bright.

**Sample order:**

nIm 03420-214606050  
(include length L e.g. 050 for L = 50 mm.)

**Note:**

Ball lock pins are used for easy fastening or joining of components. The two balls are disengaged by pressing the push button and the pin can be slipped into holes in the workpieces. When the push button is released, the balls lock the connection securely.

Shear force double shear (F) = S · τ · aB max.

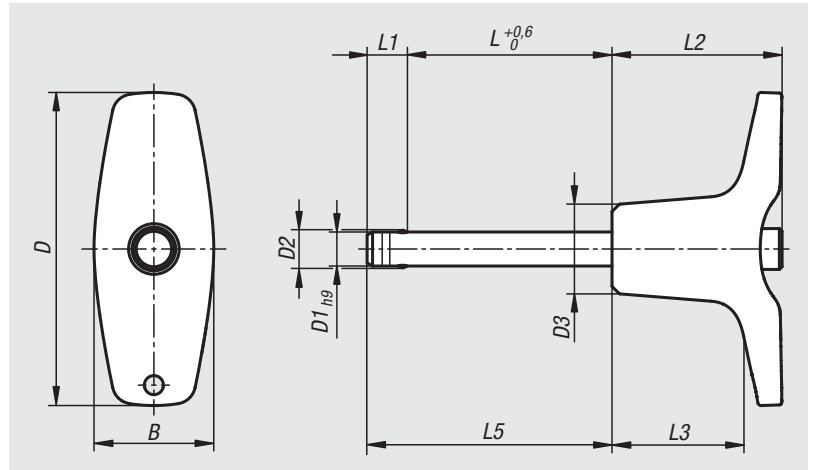
The values given for the shear force are the theoretical breaking load.

These are non-binding reference values without consideration of safety factors and exclude any liability. The values given are for information purposes only and do not constitute a legally binding assurance of properties.

The load values have been calculated in accordance with DIN 50141. Each user must determine individually whether the ball lock pin is suitable for the respective application.

Different materials in which the ball lock pins are used, weather conditions and wear can influence the determined values.

Ball lock pins with high shear strength are identified by a groove marking on the pin.

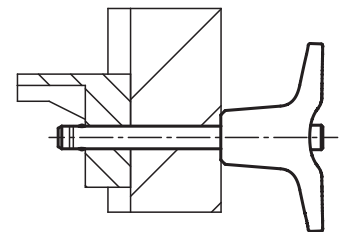


**Advantages:**

Higher loading in comparison to standard ball lock pins. The pins made from 1.4542 stainless steel is hardened, has a higher shear resistance and is extremely durable.

**Accessories:**

- Bushing for ball lock pins 03197
- Safety spiral cable 03199
- Retaining cable with loop 03199
- Key ring 03199



Order No. black	B	D	D1	D2	D3	L	L1	L2	L3	L5	Receiving hole H11	Shearing force double shear max.kN
03420-214605***	17,6	46	5	5,5	13,2	10/15/20/25/30	5,9	25	19,4	15,9/20,9/25,9/30,9/35,9	5	24
03420-214606***	17,6	46	6	6,85	13,2	10/15/20/25/30/35/40/45/50	6,8	25	19,4	16,8/21,8/26,8/31,8/36,8/41,8/46,8/51,8/56,8	6	35
03420-216308***	23	62,9	8	9,5	17,3	20/25/30/35/40/45/50	7,8	33	24,4	27,8/32,8/37,8/42,8/47,8/52,8/57,8	8	63
03420-216310***	23	62,9	10	12	17,3	20/25/30/35/40/45/50/60	8,9	33	24,4	28,9/33,9/38,9/43,9/48,9/53,9/58,9/68,9	10	100
03420-218212***	33	81,8	12	14,5	26,3	25/30/35/40/45/50/60/70/80	9,9	39,5	28,8	34,9/39,9/44,9/49,9/54,9/59,9/69,9/79,9/89,9	12	144
03420-218216***	33	81,8	16	19	26,3	30/35/40/45/50/60/70/80	13,1	39,5	28,8	43,1/48,1/53,1/58,1/63,1/73,1/83,1/93,1	16	257

Order No. red RAL 3020	B	D	D1	D2	D3	L	L1	L2	L3	L5	Receiving hole H11	Shearing force double shear max.kN
03420-21844605***	17,6	46	5	5,5	13,2	10/15/20/25/30	5,9	25	19,4	15,9/20,9/25,9/30,9/35,9	5	24
03420-21844606***	17,6	46	6	6,85	13,2	10/15/20/25/30/35/40/45/50	6,8	25	19,4	16,8/21,8/26,8/31,8/36,8/41,8/46,8/51,8/56,8	6	35
03420-21846308***	23	62,9	8	9,5	17,3	20/25/30/35/40/45/50	7,8	33	24,4	27,8/32,8/37,8/42,8/47,8/52,8/57,8	8	63
03420-21846310***	23	62,9	10	12	17,3	20/25/30/35/40/45/50/60	8,9	33	24,4	28,9/33,9/38,9/43,9/48,9/53,9/58,9/68,9	10	100
03420-21848212***	33	81,8	12	14,5	26,3	25/30/35/40/45/50/60/70/80	9,9	39,5	28,8	34,9/39,9/44,9/49,9/54,9/59,9/69,9/79,9/89,9	12	144
03420-21848216***	33	81,8	16	19	26,3	30/35/40/45/50/60/70/80	13,1	39,5	28,8	43,1/48,1/53,1/58,1/63,1/73,1/83,1/93,1	16	257

01000  
02000  
03000  
04000  
05000  
06000  
07000  
08000  
09000  
10000  
12000