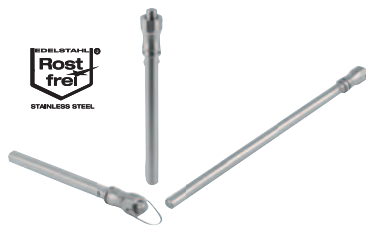


Ball lock pins

stainless steel, with headend lock



Material:

Grip and push button 1.4305 stainless steel.
 Pin 1.4305 stainless steel.
 Balls 1.4125 stainless steel.
 Spring and hanger 1.4310 stainless steel wire.

Version:

Bright.

Sample order:

n1m 03415-10-001205050
 (include length L5 e.g. 050 for L5 = 50 mm)

Note:

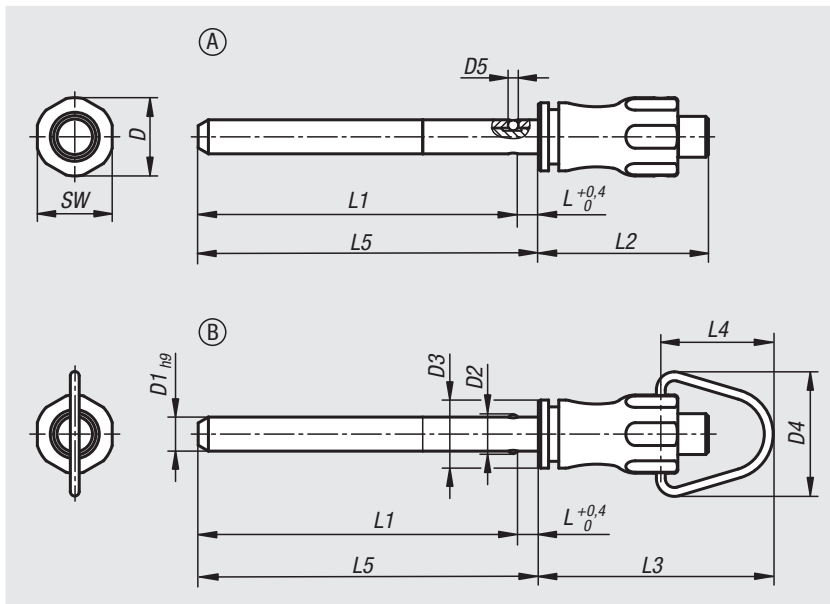
Ball lock pins are used for easy fastening or joining of components.
 The two balls are disengaged by pressing the push button and the pin can be slipped into holes in the workpieces. When the push button is released, the balls lock the connection securely.

Shear force double shear (F) = S · τ aB max.

The values given for the shear force are the theoretical breaking load.

These are non-binding reference values without consideration of safety factors and exclude any liability. The values given are for information purposes only and do not constitute a legally binding assurance of properties.

The load values have been calculated in accordance with DIN 50141. Each user must determine individually whether the ball lock pin is suitable for the respective application.



Different materials in which the ball lock pins are used, weather conditions and wear can influence the determined values.

Advantages:

Wide connections possible.
 The pin length does not need to be coordinated with the component width.

On request:

Other pin lengths.

Accessories:

Locating bushes for ball lock pins with head-end lock 03425.

Ball lock pins stainless steel, with head-end lock, Form A

Order No.	Form	D	D1	D2	D3	D5	L	L1	L2	L5	SW	Receiving hole H11	Shearing force double shear max.kN
03415-10-001205***	A	11,5	5	5,5	10	1,5	3	47/97/147	25	50/100/150	11	5	10
03415-10-001206***	A	11,5	6	6,85	10	2	3	47/97/147	25	50/100/150	11	6	14
03415-10-001508***	A	15,5	8	9,5	13,5	3	3,5	96,5/146,5/196,5	33	100/150/200	15	8	26
03415-10-001510***	A	15,5	10	12	13,5	4	3,5	96,5/146,5/196,5	33	100/150/200	15	10	40
03415-10-002112***	A	22	12	14,5	20	4,5	3,5	146,5/196,5/246,5	39,5	150/200/250	21	12	57
03415-10-002116***	A	22	16	19	20	6,5	4	146/196/246	39,5	150/200/250	21	16	100

Ball lock pins, stainless steel, with head-end lock, Form B

Order No.	Form	D	D1	D2	D3	D4	D5	L	L1	L2	L3	L4	L5	SW	Receiving hole H11	Shearing force double shear max.kN
03415-10-101205***	B	11,5	5	5,5	10	18,3	1,5	3	47/97/147	25	34,6	16,6	50/100/150	11	5	10
03415-10-101206***	B	11,5	6	6,85	10	18,3	2	3	47/97/147	25	34,6	16,6	50/100/150	11	6	14
03415-10-101508***	B	15,5	8	9,5	13,5	24	3	3,5	96,5/146,5/196,5	33	46,7	22,7	100/150/200	15	8	26
03415-10-101510***	B	15,5	10	12	13,5	24	4	3,5	96,5/146,5/196,5	33	46,7	22,7	100/150/200	15	10	40
03415-10-102112***	B	22	12	14,5	20	33	4,5	3,5	146,5/196,5/246,5	39,5	59,3	30,3	150/200/250	21	12	57
03415-10-102116***	B	22	16	19	20	33	6,5	4	146/196/246	39,5	59,3	30,3	150/200/250	21	16	100

01000 02000 03000 04000 05000 06000 07000 08000 09000 10000 12000