

# Locking pins

with magnetic axial lock



## Material:

Grip thermoplastic.  
Steel parts 1.4305 stainless steel.  
Magnet NdFeB.

## Version:

Grip black.  
Stainless steel bright.

## Sample order:

nIm 03412-3306030  
(include length L e.g. 030 for L = 30 mm.)

## Note:

The locking pins with magnetic axial lock are used for fast and easy fixating and joining of parts and workpieces. Magnets integrated into the grip ensure axial positioning and hold the locking pin in the inserted position.

Smooth surfaces and a perpendicular insertion bore have a positive effect on the retaining forces.

Optional retainer systems can be used to make the locking pins captive.

Shear force double-shear ( $F$ ) =  $S \cdot \tau \cdot aB$  max.

## On request:

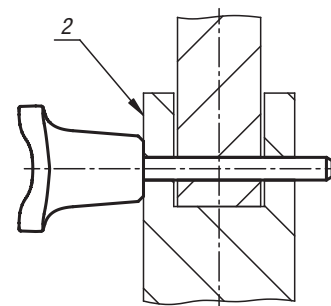
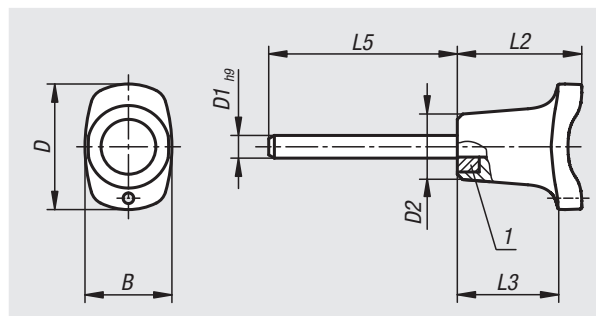
Other pin lengths.

## Accessories:

Safety spiral cable 03199....  
Retaining cable with loop 03199....  
Key ring 03199....  
Ball chains 96390....

## Drawing reference:

- 1) Magnet
- 2) Steel part/workpiece



Order No.	B	D	D1	D2	L2	L3	L5	Receiving hole	Shearing force double shear max.kN	Clamping force ca. N
03412-3306***	23	33,2	6	17,3	33	26,1	15/30/40/50/60/70/80	6	22	43
03412-3308***	23	33,2	8	17,3	33	26,1	15/30/40/50/60/70/80	8	38	43
03412-4610***	33	45,9	10	26,3	39,5	31,3	15/30/40/50/60/70/80	10	60	74
03412-4612***	33	45,9	12	26,3	39,5	31,3	30/40/50/60/70/80	12	86	74