

Shaft clamping units



Material:

Jaws steel.
Spring 1.4310.
Screw grade 8.8.

Version:

Jaws black oxidised.
Screw blue electro zinc-plated.

Sample order:

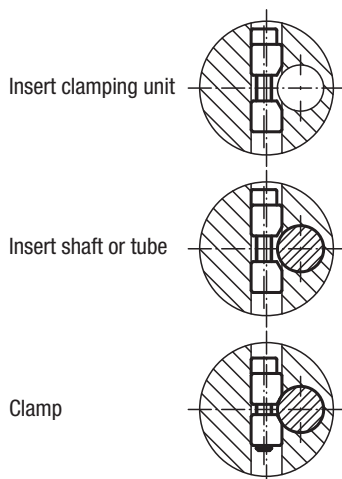
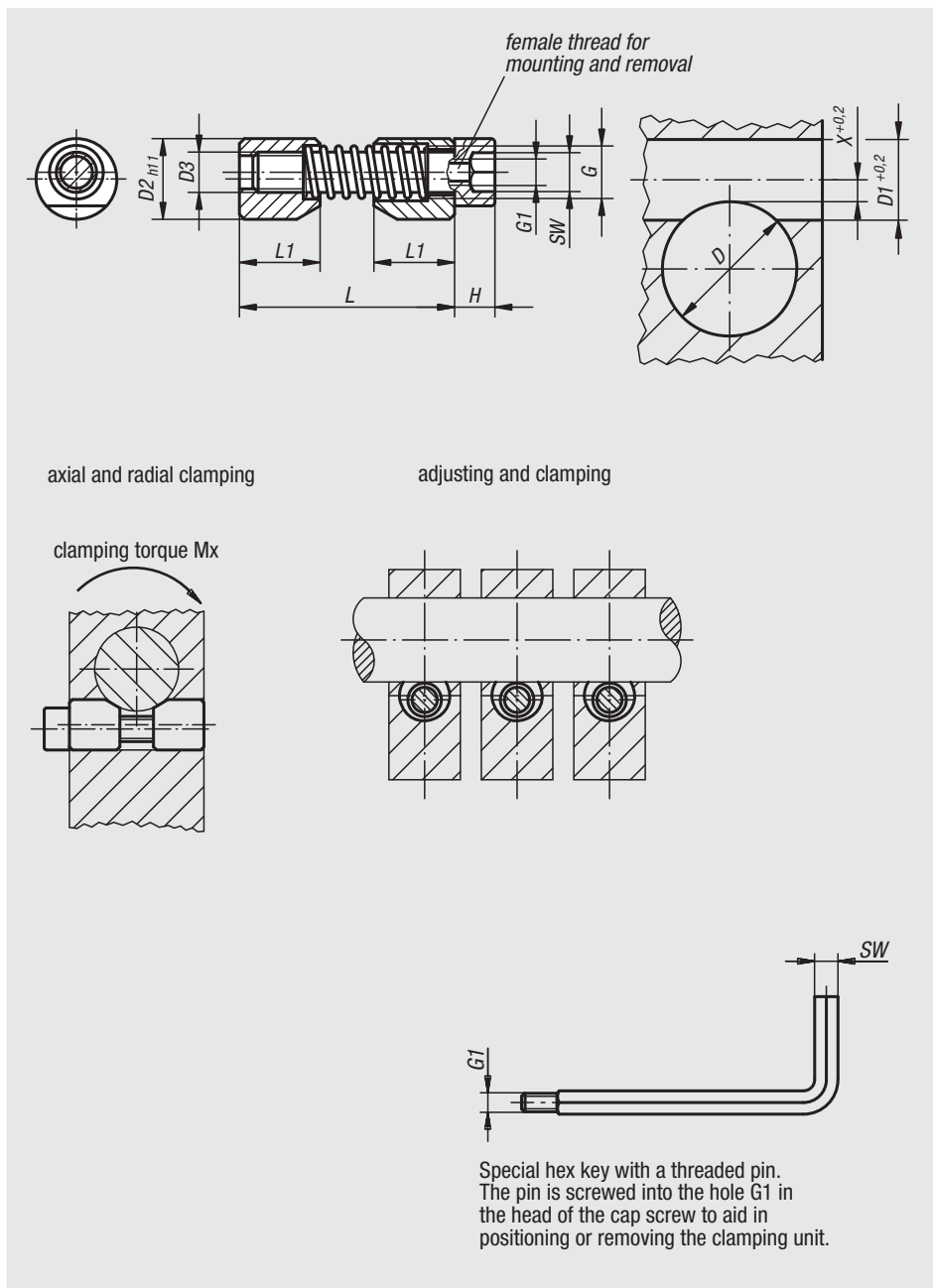
nim 03350-04

Note:

These shaft clamping units are the simple alternative to conventional shaft clamping (slot and grub screw).

The units are suitable for various materials (metal, plastic, wood etc).

To loosen a jammed clamp simply hit it axially or extract it using a screw in the jaw end or screw head.



Order No.	D min.	D max.	D1	D2	D3	G	G1	H	L max.	L1	SW	X	Clamping torque Mx Nm	Tightening torque max. Nm	Order No. assembly tool
03350-04	6	10	8	8	M4	M5	M2,5	4	27	8	3	2,8	max. 20	2,9	03350-904
03350-05	10	15	10	10	M5	M6	M3	5	33	10	4	3,3	max. 45	6	03350-905
03350-06	15	20	12	12	M6	M7	M4	6	39	12	5	3,5	max. 100	10	03350-906
03350-08	20	30	16	16	M8	M10	M5	8	46	16	6	4	max. 170	25	03350-908
03350-10	30	40	20	20	M10	M12	M6	10	53	20	8	4,8	max. 290	46	03350-910
03350-12	40	60	25	25	M12	M14	M8	12	70	25	10	5,6	max. 450	82	03350-912
03350-16	60	125	30	30	M16	M18	M10	16	81	30	14	7,9	max. 650	206	03350-916