

# Push-Pull spring plungers



**Material:**  
Steel.

**Version:**  
Sleeve blue electro zinc-plated.  
Spring pins black oxidised.

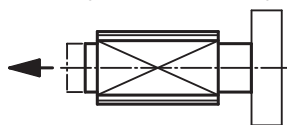
**Sample order:**  
nlm 03338-1202004

**Note:**  
The tapped hole in both ends of the spring pin allow various inserts to be attached e.g. prisms, thrust pins, self-aligning pads, knobs, grips etc.

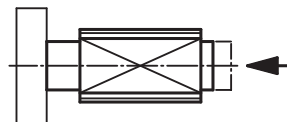
**Assembly:**  
LOCTITE threadlocker 97990-243... is recommended for gluing the threaded sleeve in position.

Application:

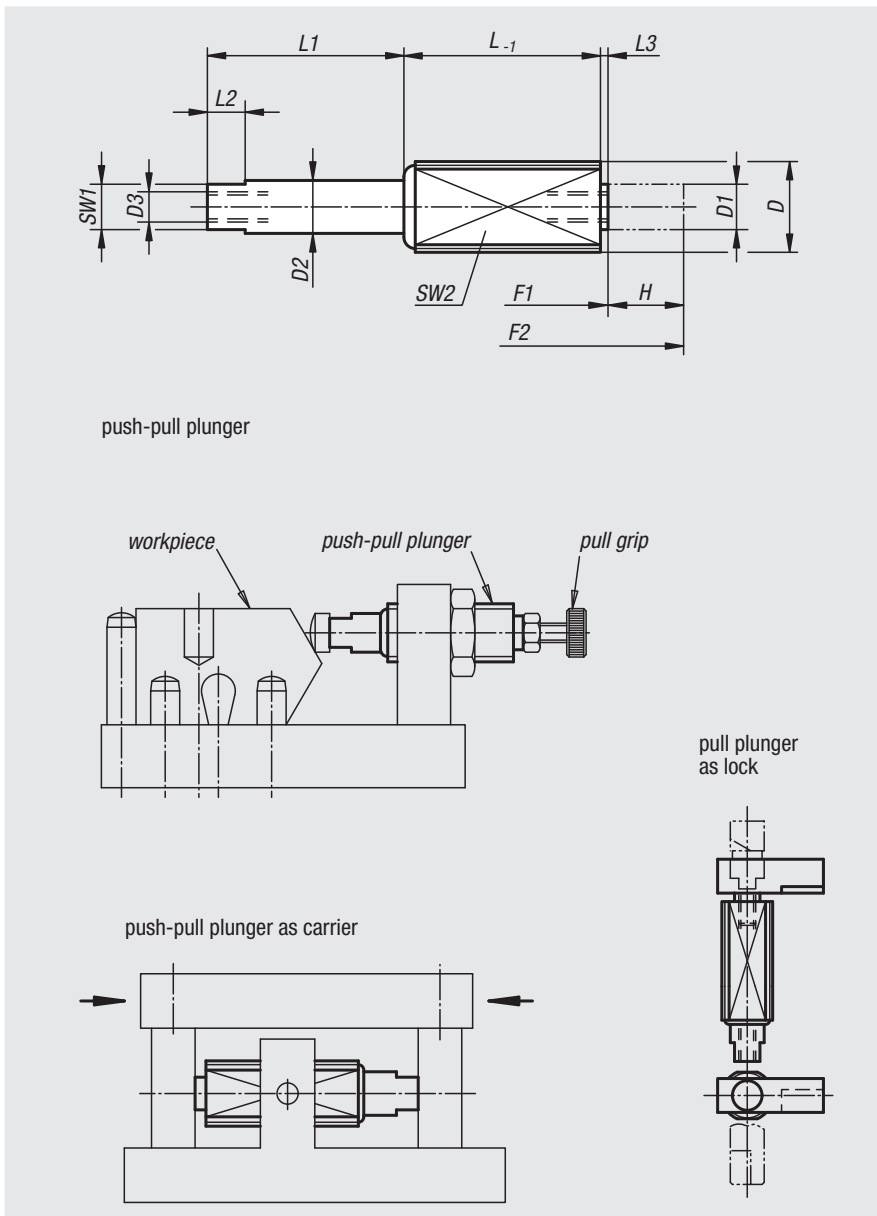
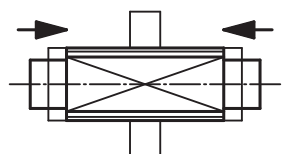
As **push plunger**:  
The spring force pushes the object.



As **pull plunger**:  
The spring force pulls the object.



As **push-pull plunger**:  
In this case the internal pin has a fixed position. The threaded sleeve acts as carrier. The spring force pushes or pulls the object in both directions.



Order No.	D	D1	D2	D3	H	L	L1	L2	L3	SW1	SW2	Spring force initial pressure F1 approx. N	Spring force final pressure F2 approx. N
03338-1202004	M12	6	7	M4x8	3,5	11	4,5	5	1	6	10	5	20
03338-1202006	M12	6	7	M4x8	6	18,5	7	5	1	6	10	5	20
03338-1202010	M12	6	7	M4x8	10	26	11	5	1	6	10	5	20
03338-1206003	M12	6	7	M4x8	3	11	4,5	5	1	6	10	12	40
03338-1206005	M12	6	7	M4x8	5	18,5	7	5	1	6	10	12	40
03338-1206008	M12	6	7	M4x8	8	26	11	5	1	6	10	12	40
03338-1212503	M12	6	7	M4x8	3	11	4,5	5	1	6	10	20	100
03338-1212505	M12	6	7	M4x8	5	18,5	7	5	1	6	10	20	100
03338-1212508	M12	6	7	M4x8	8	26	11	5	1	6	10	20	100
03338-1815004	M18x1,5	10	11	M6x12	4	17	6	6	2,5	9	16	50	150
03338-1815007	M18x1,5	10	11	M6x12	7	29,5	11,5	6	2,5	9	16	50	150
03338-1815013	M18x1,5	10	11	M6x12	12,5	45,5	16	6	2,5	9	16	50	150

01000  
02000  
03000  
04000  
05000  
06000  
07000  
08000  
09000  
10000  
12000