

Lateral spring plungers

with threaded sleeve, without thrust pin



Material:
Steel.

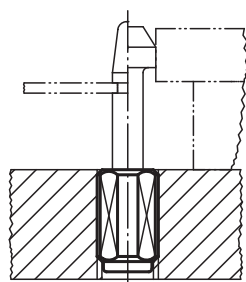
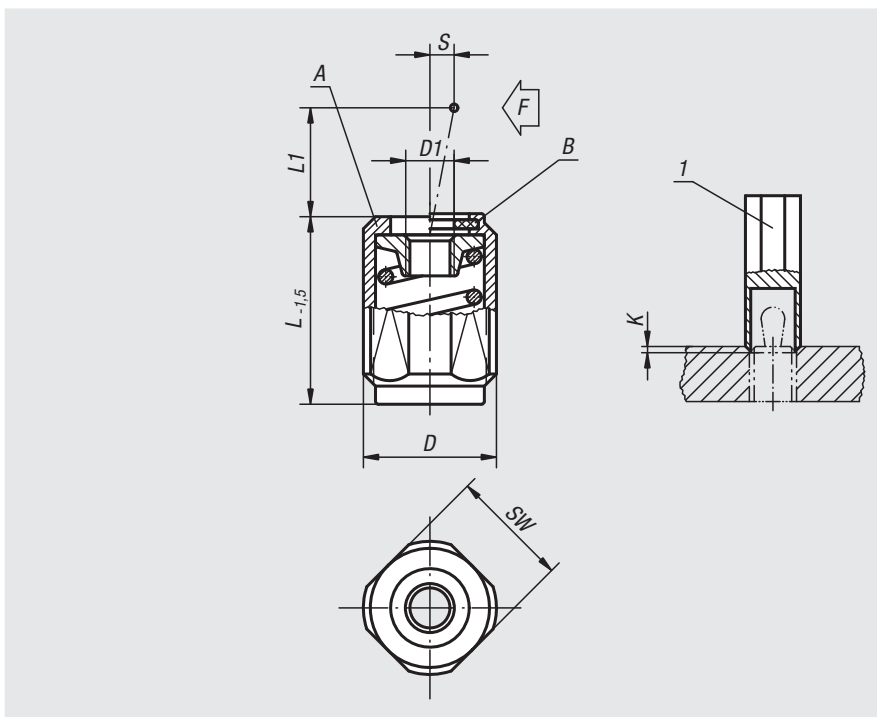
Version:
Sleeve blue electro zinc-plated.
Washer, hardened and burnished.

Sample order:
nlm 03336-1100X20

Note:
The thrust pin can be made to suit the required circumstances and screwed into the tapped hole in the locating washer.
The required lateral thrust (F) can be achieved through the stroke (S) and length (L1).
Form B has a seal to keep swarf and dirt out.

Drawing reference:
Form A: without seal
Form B: with seal

1) assembly tool



Order No. Form A	Order No. Form B	D	D1	K	L	L1	±S	SW	F ca.N	Order No. assembly tool
03336-1020X	03336-2020X	M12	M4	2x60°	11,5	4	1,6	10	20	03334-06
03336-1020X	03336-2020X	M12	M4	2x60°	19	4	1,6	10	20	03334-06
03336-1020X	03336-2020X	M12	M4	2x60°	26,5	4	1,6	10	20	03334-06
03336-1050X	03336-2050X	M12	M4	2x60°	11,5	4	1,6	10	50	03334-06
03336-1050X	03336-2050X	M12	M4	2x60°	19	4	1,6	10	50	03334-06
03336-1050X	03336-2050X	M12	M4	2x60°	26,5	4	1,6	10	50	03334-06
03336-1100X	03336-2100X	M12	M4	2x60°	11,5	4	1,6	10	100	03334-06
03336-1100X	03336-2100X	M12	M4	2x60°	19	4	1,6	10	100	03334-06
03336-1100X	03336-2100X	M12	M4	2x60°	26,5	4	1,6	10	100	03334-06
03336-1040X	03336-2040X	M12	M4	2x60°	11,5	7,5	2	10	40	03334-06
03336-1040X	03336-2040X	M12	M4	2x60°	19	7,5	2	10	40	03334-06
03336-1040X	03336-2040X	M12	M4	2x60°	26,5	7,5	2	10	40	03334-06
03336-1075X	03336-2075X	M12	M4	2x60°	11,5	7,5	2	10	75	03334-06
03336-1075X	03336-2075X	M12	M4	2x60°	19	7,5	2	10	75	03334-06
03336-1075X	03336-2075X	M12	M4	2x60°	26,5	7,5	2	10	75	03334-06
03336-1150X	03336-2150X	M12	M4	2x60°	11,5	7,5	2	10	100	03334-06
03336-1150X	03336-2150X	M12	M4	2x60°	19	7,5	2	10	100	03334-06
03336-1150X	03336-2150X	M12	M4	2x60°	26,5	7,5	2	10	100	03334-06
03336-1100X	03336-2100X	M18X1,5	M6	2,5x60°	18	11,5	3,2	16	100	03334-10
03336-1100X	03336-2100X	M18X1,5	M6	2,5x60°	31,5	11,5	3,2	16	100	03334-10
03336-1100X	03336-2100X	M18X1,5	M6	2,5x60°	45	11,5	3,2	16	100	03334-10
03336-1200X	03336-2200X	M18X1,5	M6	2,5x60°	18	11,5	3,2	16	150	03334-10
03336-1200X	03336-2200X	M18X1,5	M6	2,5x60°	31,5	11,5	3,2	16	150	03334-10
03336-1200X	03336-2200X	M18X1,5	M6	2,5x60°	45	11,5	3,2	16	150	03334-10
03336-1300X	03336-2300X	M18X1,5	M6	2,5x60°	18	11,5	3,2	16	200	03334-10
03336-1300X	03336-2300X	M18X1,5	M6	2,5x60°	31,5	11,5	3,2	16	200	03334-10
03336-1300X	03336-2300X	M18X1,5	M6	2,5x60°	45	11,5	3,2	16	200	03334-10