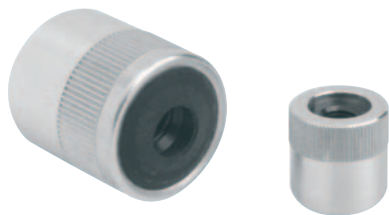


Lateral spring plungers

without thrust pin



Material:

Sleeve aluminium.
Receiving washer steel.
Spring steel.

Version:

Sleeve blue electro zinc-plated.
Washer, hardened and burnished.

Sample order:

nIm 03332-31058

Note:

The thrust pin can be made to suit the required circumstances and screwed into the tapped hole in the locating washer.

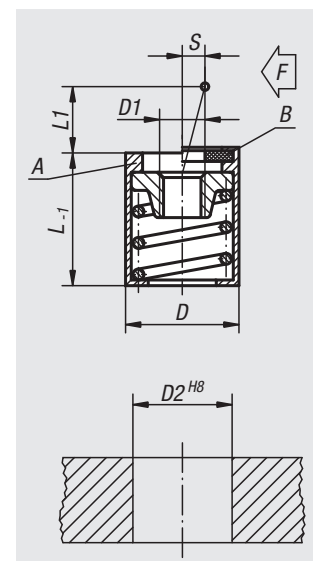
The required lateral thrust (F) can be achieved through the stroke (S) and length (L1).

Form B has a seal to keep swarf and dirt out.

Drawing reference:

Form A: without seal

Form B: with seal



Lateral spring plungers without thrust pin, Form A, without seal

Order No.	Form	D	D1	D2	L	L1	S	F ca.N
03332-31054	A	10	M4	10	12	4	1,6	20
03332-31056	A	10	M4	10	12	4	1,6	50
03332-31058	A	10	M4	10	12	4	1,6	100
03332-31064	A	10	M4	10	12	7,5	2	40
03332-31066	A	10	M4	10	12	7,5	2	75
03332-31068	A	10	M4	10	12	7,5	2	100
03332-31104	A	16	M6	16	18	11,5	3,2	100
03332-31106	A	16	M6	16	18	11,5	3,2	150
03332-31108	A	16	M6	16	18	11,5	3,2	200

Lateral spring plungers without thrust pins, Form B, with seal

Order No.	Form	D	D1	D2	L	L1	S	F ca.N
03332-32054	B	10	M4	10	12	4	1,6	20
03332-32056	B	10	M4	10	12	4	1,6	50
03332-32058	B	10	M4	10	12	4	1,6	100
03332-32064	B	10	M4	10	12	7,5	2	40
03332-32066	B	10	M4	10	12	7,5	2	75
03332-32068	B	10	M4	10	12	7,5	2	100
03332-32104	B	16	M6	16	18	11,5	3,2	100
03332-32106	B	16	M6	16	18	11,5	3,2	150
03332-32108	B	16	M6	16	18	11,5	3,2	200