

Extractor


Material:

Hammer head carbon steel.
Shaft, stop and guide sleeves tool steel.

Version:

Slide hammer tempered and chromed.
Shaft, stop and guide sleeve hardened and chromed.

Sample order:

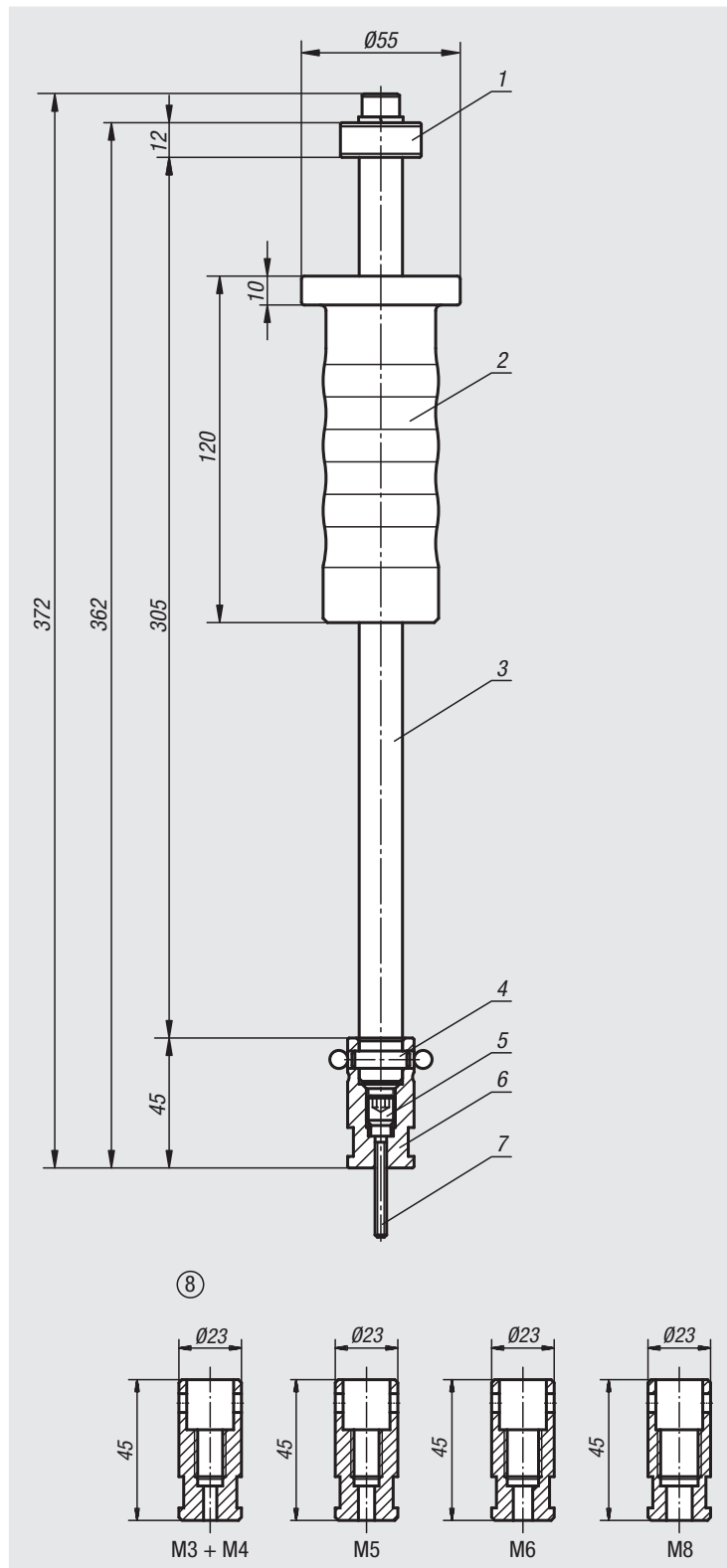
nIm 03328-40

Note:

These extractors are used to remove locating pins and centring pins (03105, 03106, 03107, 03108, 03325) with M3 - M8 tapped holes.

Drawing reference:

- 1) stop
- 2) slide hammer
- 3) shaft
- 4) cross pin
- 5) lock screw
- 6) guide sleeve
- 7) cap screw
- 8) 1 set guide sleeves



Order No.

Dimensions

03328-40

see drawing