

Cylindrical pins with internal thread

DIN EN ISO 8735



Material:

Tool steel 1.2067

Version:

Case hardened, hardness 60 ± 2 HRC.
Annealed, ground and lapped.

Sample order:

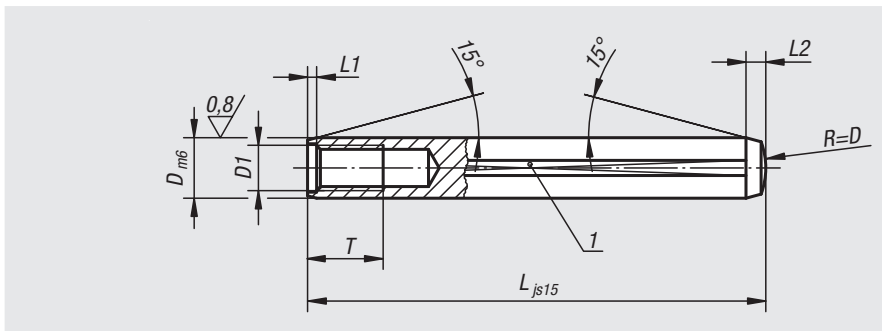
nIm 03325-06X28 (include length L)

Note:

Tapped cylindrical pins are chiefly used in blind holes. The milled flat prevents air compression in blind holes. The tapping makes it possible to use the extractor 03328.

Drawing reference:

1) ground flat



Order No.	D	L	D1	T	L1 ca.	L2 ca.
03325-05X	5	16/20/24/28/32/36/40/45	M3	6	0,6	1,7
03325-06X	6	16/18/20/24/28/32/36/40/45/50/55/60	M4	6	0,8	2,1
03325-08X	8	20/24/28/32/36/40/45/50/55/60/70/80/90/100	M5	8	1	2,6
03325-10X	10	20/24/28/32/36/40/45/50/55/60/70/80/90/100	M6	10	1,2	3
03325-12X	12	32/36/40/45/50/55/60/70/80/90/100/120	M6	10	1,6	3,8
03325-14X	14	32/36/40/45/50/55/60/70/80/90/100/120	M8	12	1,8	4
03325-16X	16	40/45/50/55/60/70/80/90/100/120	M8	12	2	4,7
03325-20X	20	45/50/55/60/70/80/90/100/120	M10	16	2,5	6

03325-01

Ceramic dowel pins with female thread

similar to DIN 7979



Material:

High performance ceramic Z101.

Version:

Ground

Sample order:

nIm 03325-01-06X28 (include length L)

Note:

Tapped dowel pins are chiefly used in blind holes. The milled flat prevents air compression in blind holes. The thread is for connecting the extractor 03328.

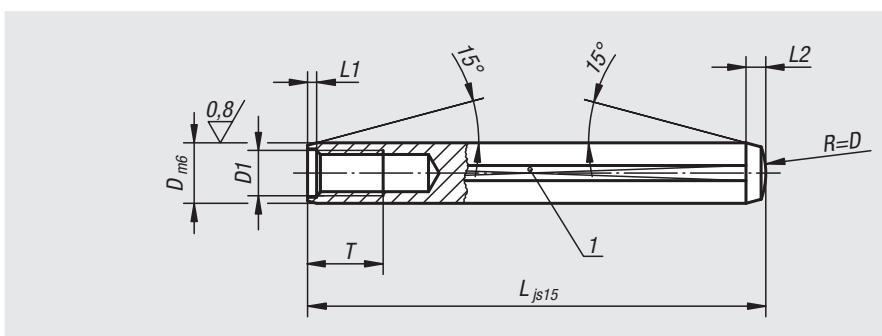
The dimensions of the dowel pin comply with DIN 7979.

Advantages:

Ideal for fixture construction
Dimensionally stable even at high temperatures
Electrically insulating

Drawing reference:

1) ground flat



Order No.	D	L	D1	T	L1 ca.	L2 ca.
03325-01-06X	6	14/20/24/28/32/40	M4	6	0,8	2,1
03325-01-08X	8	24/32/40/50	M5	8	1	2,6
03325-01-10X	10	32/40	M6	10	1,2	3
03325-01-12X	12	40	M6	10	1,6	3,8