

## Item description/product images



## Description

**Material:**

High performance ceramic Z101.

**Version:**

Ground

**Note:**

Tapped dowel pins are chiefly used in blind holes. The milled flat prevents air compression in blind holes.

The thread is for connecting the extractor 03328.

The dimensions of the dowel pin comply with DIN 7979.

**Advantages:**

Ideal for fixture construction

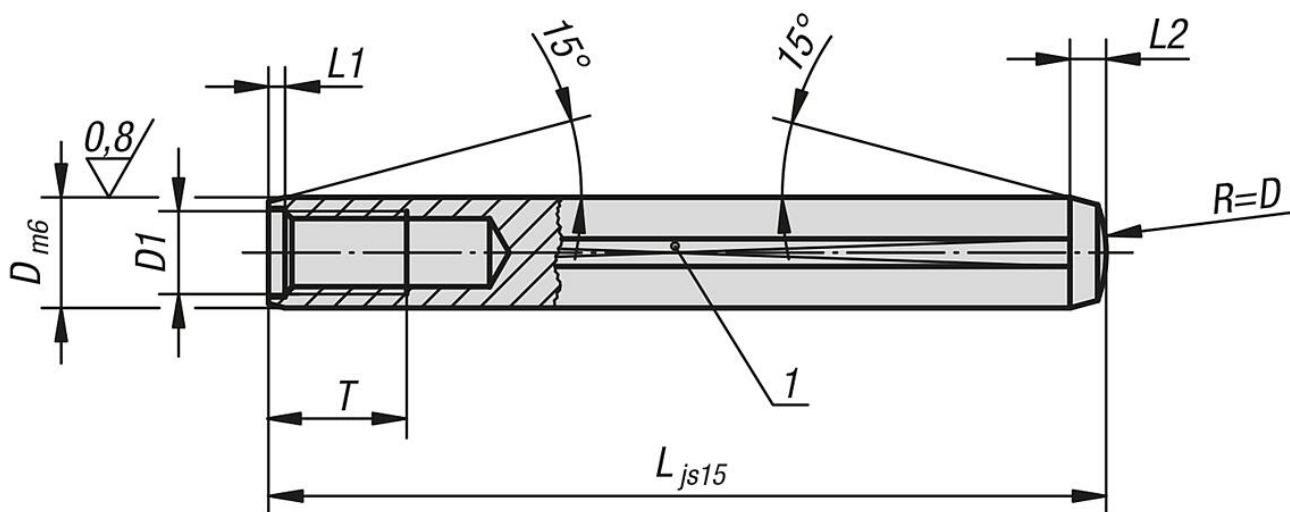
Dimensionally stable even at high temperatures

Electrically insulating

**Drawing reference:**

1) ground flat

## Drawings



## Overview of items

Order No.	D	L	D1	T	L1 ca.	L2 ca.
03325-01-06X14	6	14	M4	6	0,8	2,1
03325-01-06X20	6	20	M4	6	0,8	2,1
03325-01-06X24	6	24	M4	6	0,8	2,1
03325-01-06X28	6	28	M4	6	0,8	2,1
03325-01-06X32	6	32	M4	6	0,8	2,1
03325-01-06X40	6	40	M4	6	0,8	2,1
03325-01-08X24	8	24	M5	8	1	2,6
03325-01-08X32	8	32	M5	8	1	2,6
03325-01-08X40	8	40	M5	8	1	2,6
03325-01-08X50	8	50	M5	8	1	2,6

## Overview of items

Order No.	D	L	D1	T	L1 ca.	L2 ca.
03325-01-10X32	10	32	M6	10	1,2	3
03325-01-10X40	10	40	M6	10	1,2	3
03325-01-12X40	12	40	M6	10	1,6	3,8