

Slot keys loose

DIN 6323

**Material:**

Hardened steel 1.0401

Version:

Case-hardened, black oxidised and ground.

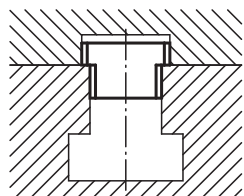
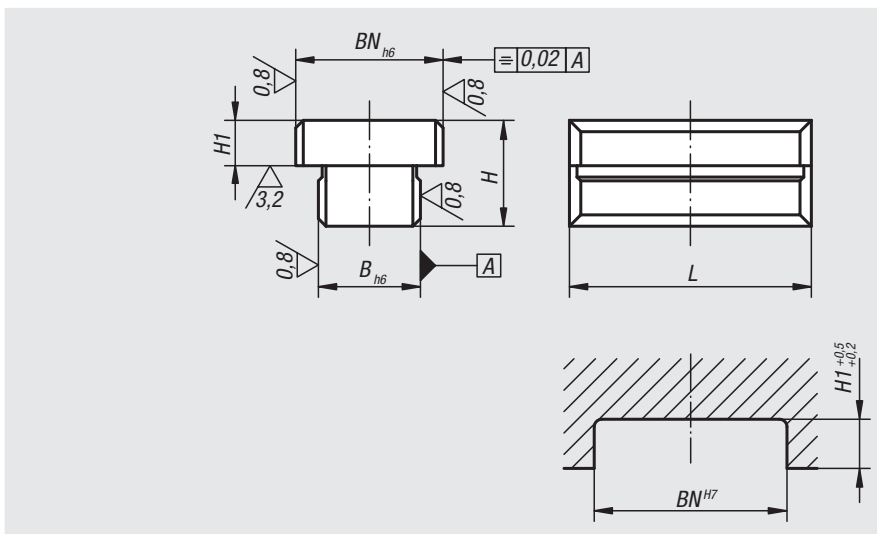
Sample order:

nlm 03260-14

Note:

Loose slot keys 03260 acc. to DIN 6323 combine the advantages of fixed slot keys with the improved handling of machine vices, dividing heads and fixtures. These keys can slide sideways after rough alignment.

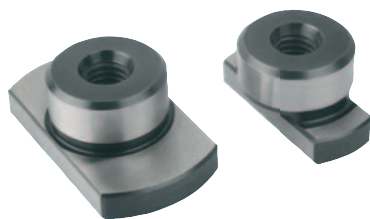
No protruding key on the base to damage the machine table when moving the fixture.



Order No.	BN=Slot width	B	H	H1	L
03260-10	12	10	12	3,6	20
03260-12	20	12	14	5,5	32
03260-14	20	14	14	5,5	32
03260-16	20	16	14	5,5	32
03260-18	20	18	14	5,5	32

Slot keys

with locating pin

**Material:**

Steel.

Version:

Case-hardened, black oxidised and ground.

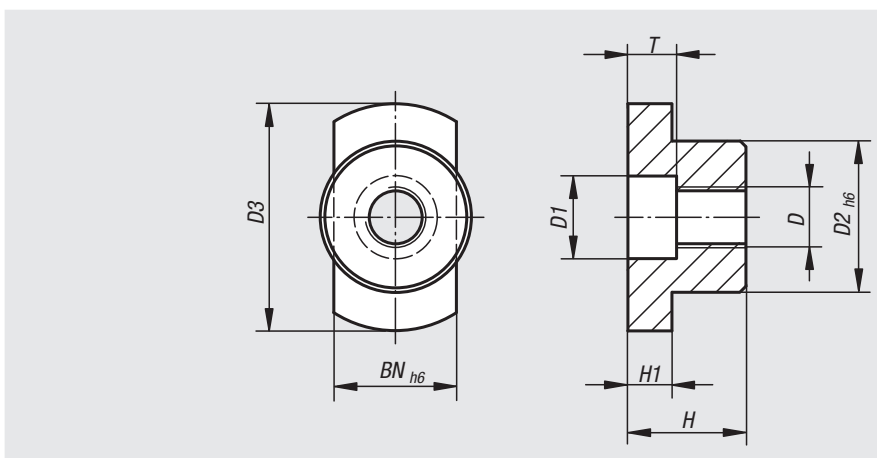
Sample order:

nlm 03270-10

Note:

To align fixtures and clamping elements on subplates and palettes with location holes.

They can be mounted in holes or slots.



Order No.	BN=Slot width	D	D1	D2	D3	H	H1	T
03270-10	10	M8	11	20	30	15,5	5,8	6,4
03270-12	12	M8	11	20	30	15,5	5,8	6,4
03270-14	14	M8	11	20	30	15,5	5,8	6,4
03270-16	16	M8	11	20	30	15,5	5,8	6,4
03270-18	18	M8	11	20	30	15,5	5,8	6,4
03270-20	20	M8	11	20	36	15,5	5,8	6,4
03270-22	22	M8	11	20	40	15,5	5,8	6,4

