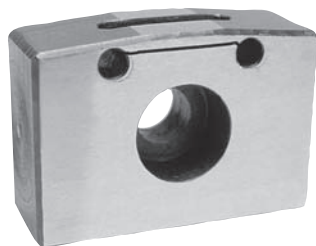


Elastic slot keys

Pat. No. 4200676



Material:

Steel.

Version:

Case-hardened, black oxidised and ground.

Sample order:

nIm 03252-12

Note:

Elastic slot keys are used to align fixtures and clamps play-free on machine tables with DIN 650 T-slots.

Advantages:

- Play-free seating through elastic deformation.
- The two-part sprung face allows the tolerance play of the guide slots in the machine table and fixture/clamp to be independently equalised.
- Repeat accuracies within 0.005 mm are possible.

Drawing reference:

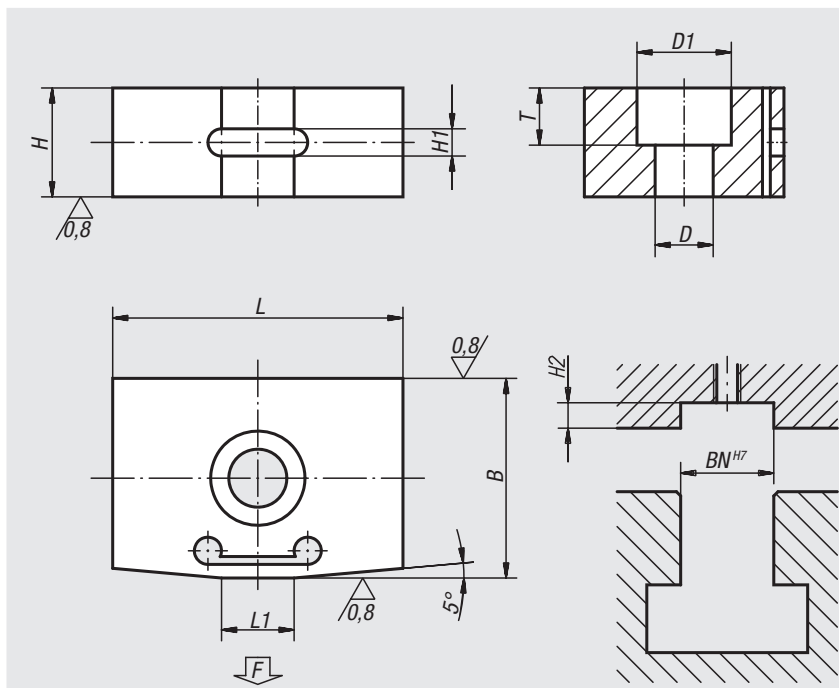
Independent compensation of two different slot dimensions

Spring surface 1:

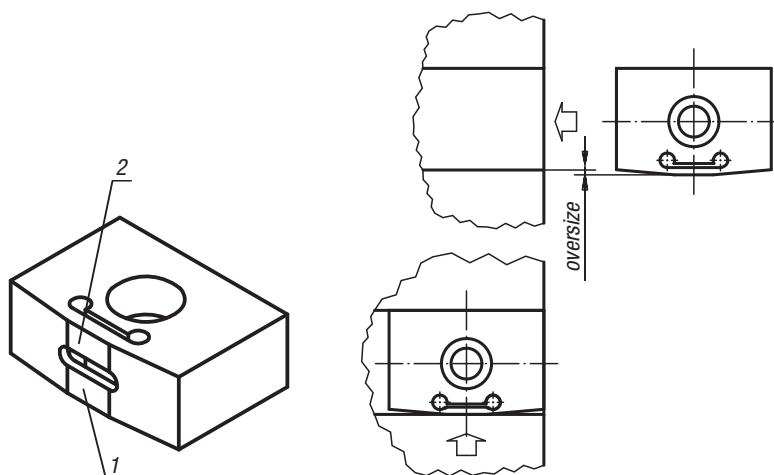
Adjusted to the guide slot of the add-on part (fixture/chucking tool).

Spring surface 2:

Adjusted to the guide slot of the supporting table.



elastic deformation produces playfree seating



Order No.	BN=Slot width	B	D	D1	H	H1	H2	L	L1	T	Approx. spring force at 0,02 spring tension	Approx. spring force at 0,03 spring tension
03252-10	10	10 +0,035 +0,020	4,3	7,4	8	2	4	20	6	4,3	100	200
03252-12	12	12 +0,038 +0,023	5,3	9,4	8	2	4	20	6	5,3	100	200
03252-14	14	14 +0,038 +0,023	6,4	10,4	10	3	5	22	8	6,3	100	200
03252-16	16	16 +0,038 +0,023	6,4	10,4	10	3	5	22	8	6,3	100	200
03252-18	18	18 +0,038 +0,023	6,4	10,4	10	3	5	22	8	6,3	100	200
03252-20	20	20 +0,040 +0,025	6,4	10,4	10	3	5	22	8	6,3	100	200
03252-22	22	22 +0,040 +0,025	6,4	10,4	12	3	6	32	11	6,3	100	200