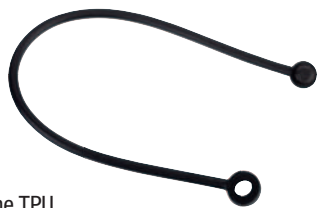


## Safety cable



**Material:**  
Thermoplastic urethane TPU.

**Sample order:**  
nlm 03198-04190

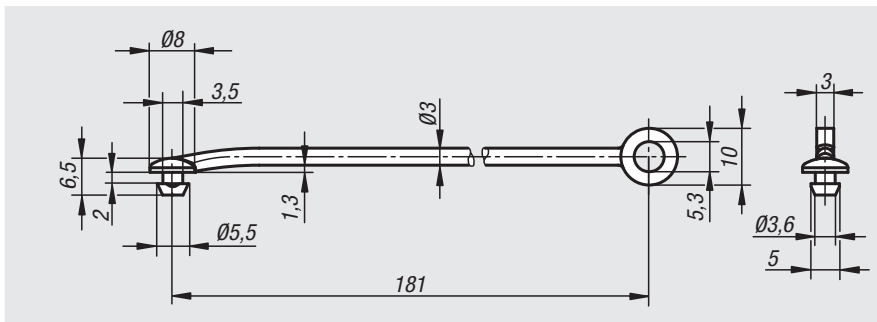
**Note:**  
The safety cable is distinguished by its high elongation and good rebound resilience.

It was especially conceived for the star grips 06212, 06220 as an unlosable operating part.

Refitting of existing star grips 06212, 06220 as well as knurled knobs 06266/06267 and knurled knobs 06092 from our assortment is possible with this safety cable.

**Assembly:**  
Recommended hole  $\varnothing 3.8_{-0,1}$ . The hole edge should be deburred. A Teflon based lubrication is recommended to aid assembly.

**On request:**  
Can be combined with other products.



Order No.	Dimensions
03198-04190	see drawing

## Safety spiral cable

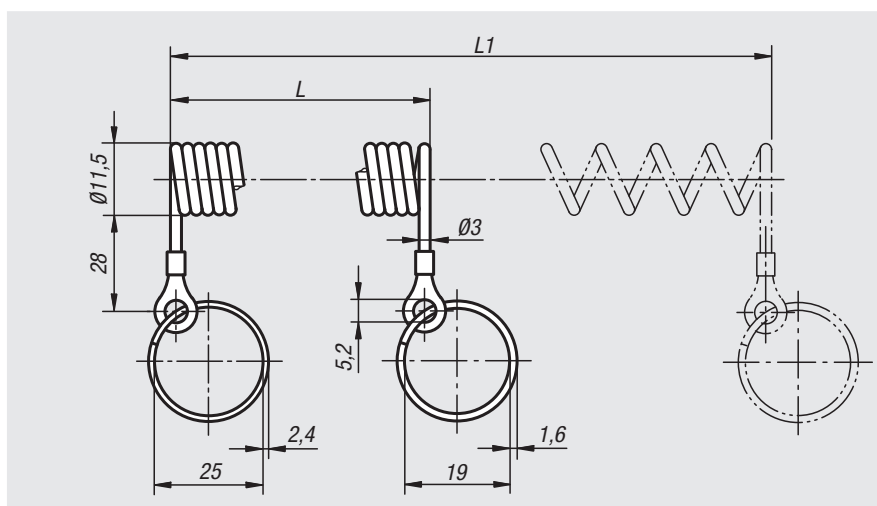


**Material:**  
Spiral cable PUR.  
Eye copper or stainless steel.  
Key ring steel or stainless steel.

**Version:**  
Spiral cable black.  
Eye, zinc-plated copper or bright stainless steel.  
Key ring, chromed steel or bright stainless steel.

**Sample order:**  
nlm 03199-10200

**Note:**  
Elastic spiral cable to secure equipment parts. Very good reset force, robust and wear-resistant.



Order No.	Key Rings	L	L1
03199-10100	steel	100	500
03199-10200	steel	200	1000
03199-20100	stainless steel	100	500
03199-20200	stainless steel	200	1000