

Bushing for ball lock pins


Material:

Stainless steel 1.4305.

Version:

Bright.

Sample order:

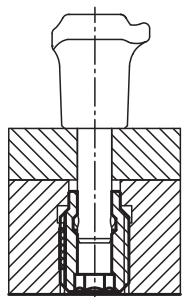
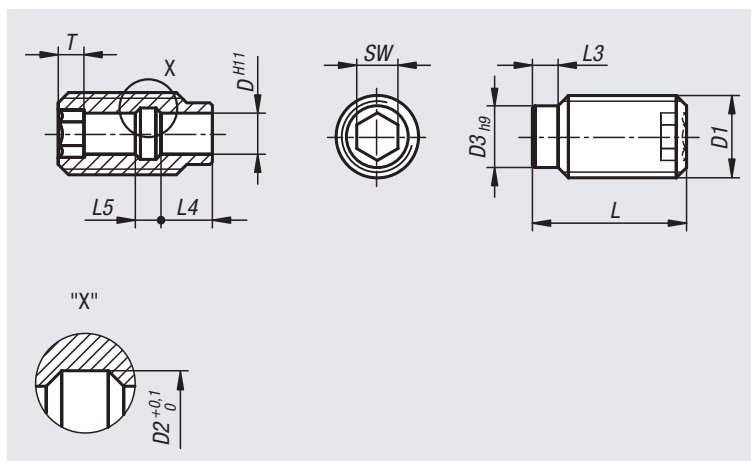
nIm 03197-11224

Note:

These bushes are ideal for easy and quick positioning of ball lock pins and locking pins.

Advantages:

- centred by the centring collar.
- easy and reliable installation.
- can be screwed into various materials.
- usable both sides



Order No.	D	D1	D2	D3	L	L3	L4	L5	SW	T
03197-10512	5	M12	6	9	25	4	7	3	5	4
03197-10616	6	M16	7,5	12	30	5	10	5	6	5
03197-10816	8	M16	10	12	30	5	10	5	8	5
03197-11024	10	M24	13	18	35	6	8	7	10	6
03197-11224	12	M24	15	18	35	6	8	7	12	6
03197-11630	16	M30	20	24	40	8	11	9	16	7

Bushing for ball lock pins

with LONG-LOK thread lock



Material:

Stainless steel 1.4305.

LONG-LOK thread lock Nylon.

Version:

Bright.

Sample order:

nIm 03197-112241

Note:

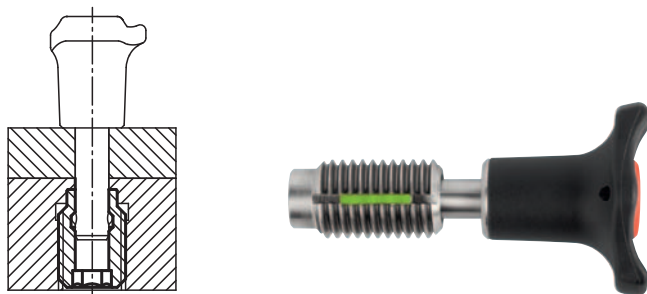
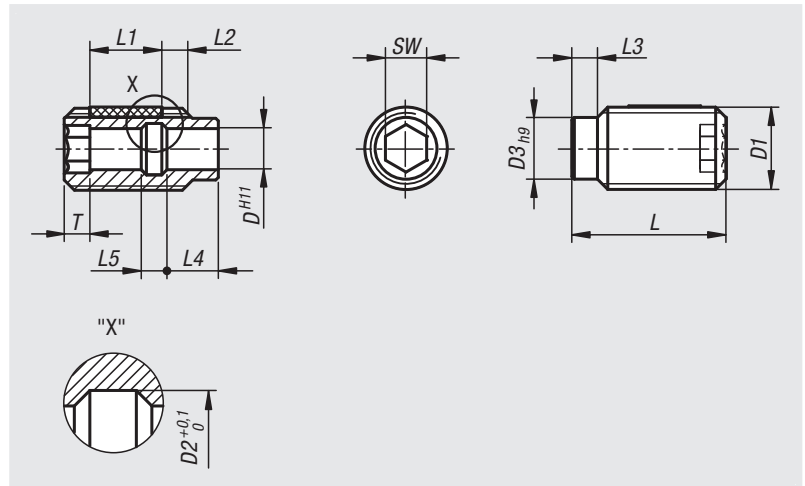
These bushes are ideal for easy and quick positioning of ball lock pins and locking pins.

Advantages:

- centred by the centring collar.
- easy and reliable installation.
- can be screwed into various materials.
- usable both sides
- the LONG-LOK thread lock enables the depth to be exactly matched to existing components, no locknut is required.

Drawing reference:

L2 = approx. 2x thread pitch



Order No.	D	D1	D2	D3	L	L1	L3	L4	L5	SW	T
03197-105121	5	M12	6	9	25	10	4	7	3	5	4
03197-106161	6	M16	7,5	12	30	14	5	10	5	6	5
03197-108161	8	M16	10	12	30	14	5	10	5	8	5
03197-110241	10	M24	13	18	35	14	6	8	7	10	6
03197-112241	12	M24	15	18	35	14	6	8	7	12	6
03197-116301	16	M30	20	24	40	14	8	11	9	16	7