

Indexing plunger

with five lobe grip



Material:

Thermoplastic.
Indexing pin and screw steel 5.8.

Version:

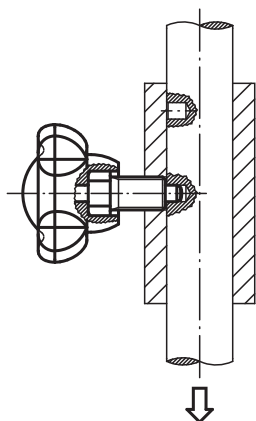
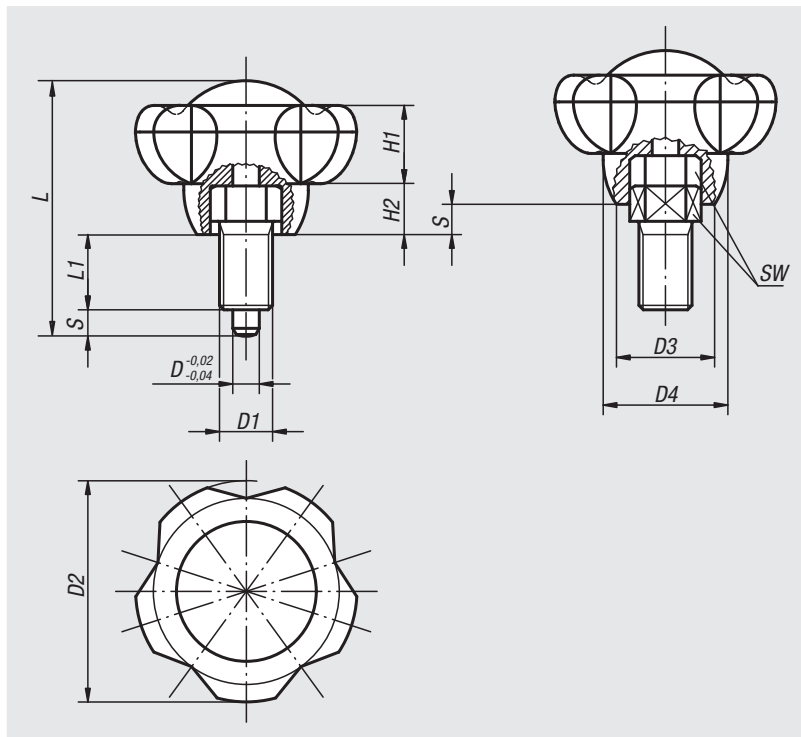
Lower grip black-grey.
Indexing pin and screw black oxidised.
Indexing pin hardened and ground.

Sample order:

nIm 03190-11056 (cap colour traffic red)

Note:

Δ Add the desired cap colour here.
No colour code is required for black grey caps.



Order No.	D	D1	D2	D3	D4	H1	H2	L	L1	Travel S	SW
03190-1105Δ	5	M10x1	50	22,2	28,2	17,8	11,5	52,8	13	5	13
03190-1206Δ	6	M12x1,5	50	22,2	28,2	17,8	11,5	57,8	17	6	14
03190-13085Δ	8	M16x1,5	63	28	35,5	22,5	14,5	74	22	8	19
03190-1410Δ	10	M20x1,5	63	28	35,5	22,5	14,5	78	24	10	22