

Indexing plungers - Precision

with cylindrical pin

Material:

Steel.
Grip ball thermoplastic.

Version:

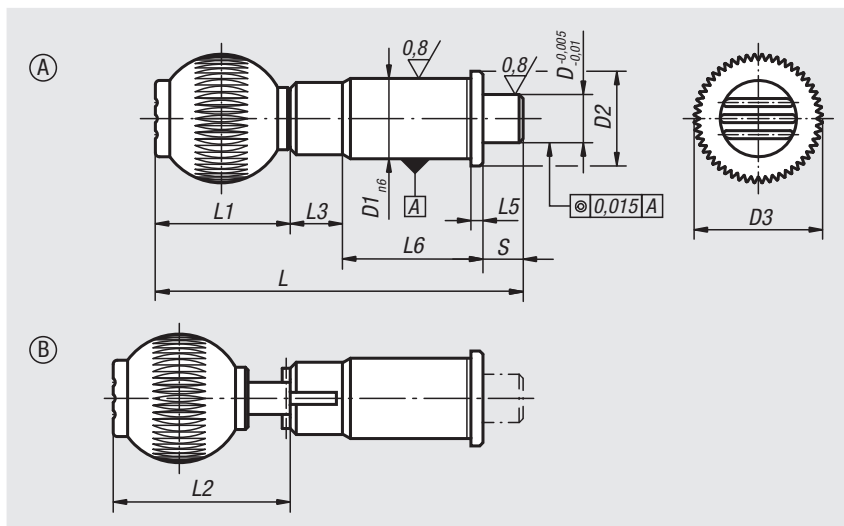
Hardened and ground.
Grip ball black grey.

Sample order:

nIm 03186-020

Note:

The indexing plungers with bushes are a perfect combination for rapid positioning and fixing. The precise design of both the indexing plungers and the bush guarantees high repeating accuracy when assembling two elements.



Technical Information see assembly and installation instructions.

Drawing reference:

Form A: standard
Form B: lockable

Order No. Form A standard	Order No. Form B lockable	D	D1	D2	D3	L	L1	L2	L3	L5	L6	Travel S	Spring force initial pressure F1 approx. N	Spring force final pressure F2 approx. N	Internal thread grip ball
03186-010	03186-110	10	16	19	25	79	25	-/36,5	13	2,5	31	10	15	30	M6
03186-012	03186-112	12	20	23	32	91	33	-/44,5	13	3	35	10	15	35	M8
03186-016	03186-116	16	25	28	40	106,5	41,5	-/53	13	3	42	10	20	50	M10
03186-020	03186-120	20	30	33	40	114,5	41,5	-/53	13	3	50	10	36	63	M10
03186-025	03186-125	25	38	42	50	134	51	-/62,5	13	3	60	10	20	73	M10

Bushes cylindrical



Material:

Steel.

Version:

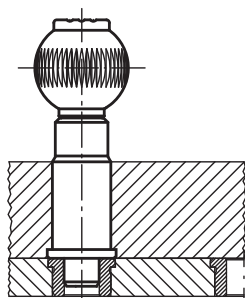
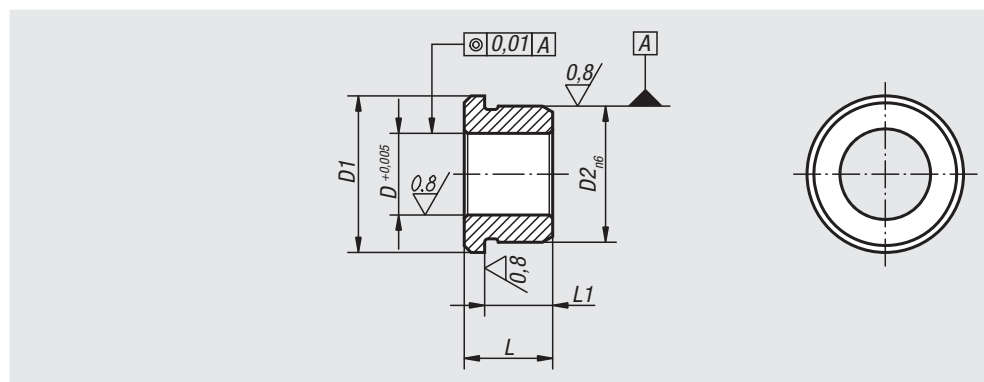
Hardened and ground.

Sample order:

nIm 03188-20

Note:

Bushes for precision indexing plungers 03186.



Order No.	D	D1	D2	L	L1
03188-10	10	19	16	11	8,5
03188-12	12	23	20	13	10
03188-16	16	28	25	17	14
03188-20	20	33	30	16	13
03188-25	25	42	38	19	16