

Indexing plungers - Precision

with tapered pin



Material:
Steel.
Grip ball thermoplastic.

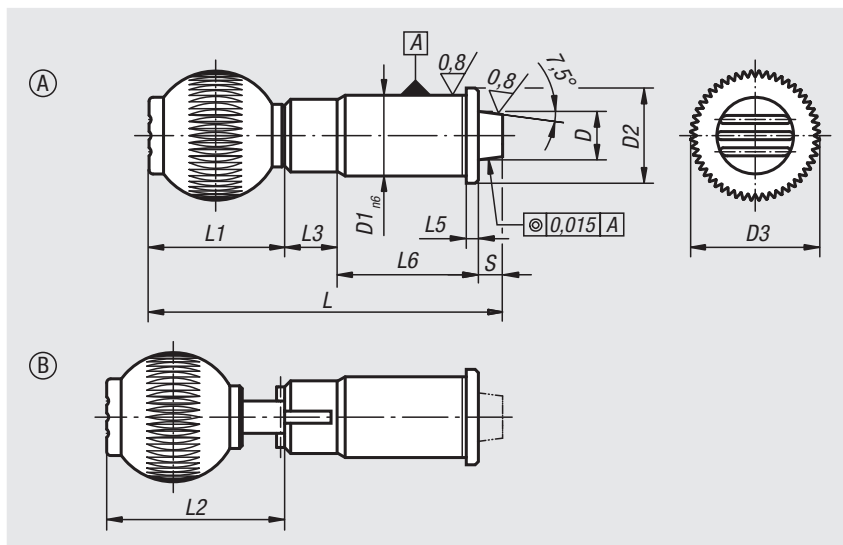
Version:
Hardened and ground.
Grip ball black grey.

Sample order:
nlm 03182-020

Note:
The indexing plungers with bushes are a perfect combination for rapid positioning and fixating. The precise design of both the indexing plunger and the bush guarantees high repeat accuracy when assembling two elements.

For technical information see assembly and installation instructions.

Drawing reference:
Form A: standard
Form B: lockable



Order No. Form A standard	Order No. Form B lockable	D	D1	D2	D3	L	L1	L2	L3	L5	L6	Travel S	Spring force initial pressure F1 approx. N	Spring force final pressure F2 approx. N	Internal thread grip ball
03182-010	03182-110	10	16	19	25	75	25	-/30,5	13	2,5	31	6	19	29	M6
03182-012	03182-112	12	20	23	32	87	33	-/40,5	13	3	35	6	22	35	M8
03182-016	03182-116	16	25	28	40	102,5	41,5	-/49	13	3	42	6	30	50	M10
03182-020	03182-120	20	30	33	40	110,5	41,5	-/49	13	3	50	6	46	63	M10
03182-025	03182-125	25	38	42	50	130	51	-/58,5	13	3	60	6	39	73	M10

Bushes tapered

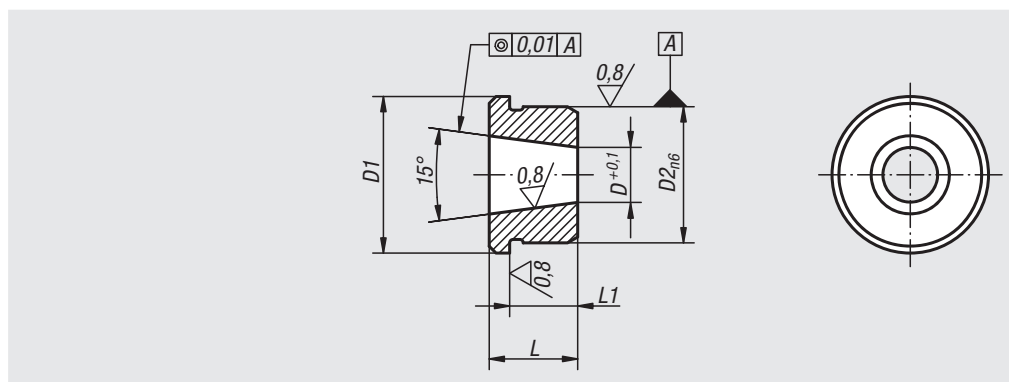


Material:
Steel.

Version:
Hardened and ground.

Sample order:
nlm 03184-20

Note:
Bushes for precision indexing plungers 03182.



Order No.	D	D1	D2	L	L1
03184-10	7,1	19	16	11	8,5
03184-12	8,28	23	20	13	10
03184-16	11,52	28	25	17	14
03184-20	15,49	33	30	16	13
03184-25	19,7	42	38	19	16

01000
02000
03000
04000
05000
06000
07000
08000
09000
10000
12000