

Centring V-plate

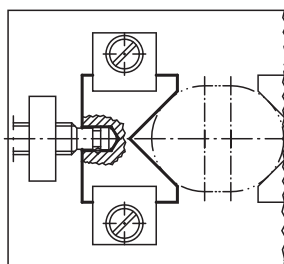
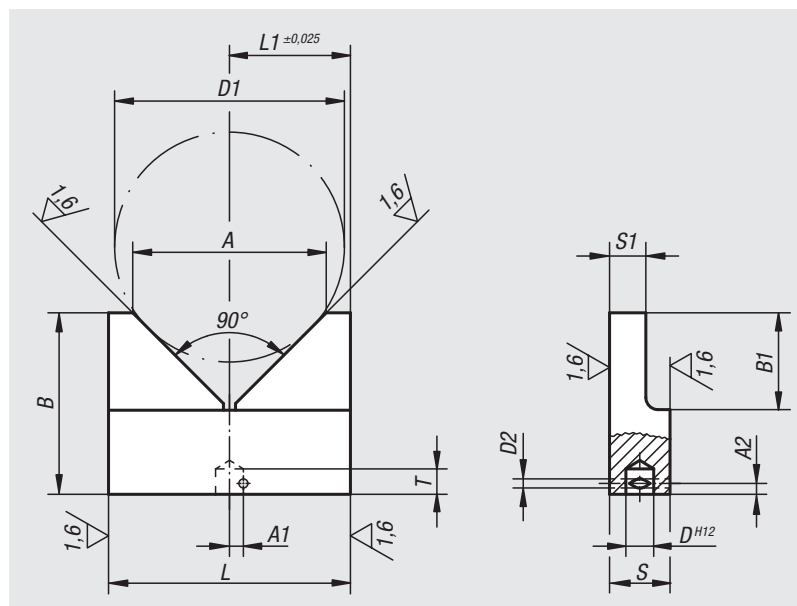


Material:
Carbon steel 1.1181.

Version:
Black oxidised.

Sample order:
nlm 03180-03

Note:
Thrust pad type screws such as 07120 or 06150 may be used for the spindle.



Order No.	A	A1	A2	B	B1	D	D1 max.	D2	L	L1	S	S1	T
03180-01	32	2,6	1,8	30	16	4,6	38	1,5	40	20	10	6	4,2
03180-02	40	3,7	2	40	20	6,1	46	1,5	50	25	12	8	5
03180-03	50	4,7	2,7	50	25	8,1	58	2	63	31,5	16	10	7