

## Item description/product images



external clamping



internal clamping

## Description

### Material, version:

High-strength aluminium, red (external clamping) or clear (internal clamping), anodised.

### Note:

Collet for clamping external or internal contours. The contour of the workpiece to be clamped is imparted to the collet. Free-form surfaces and asymmetrical contours are possible.

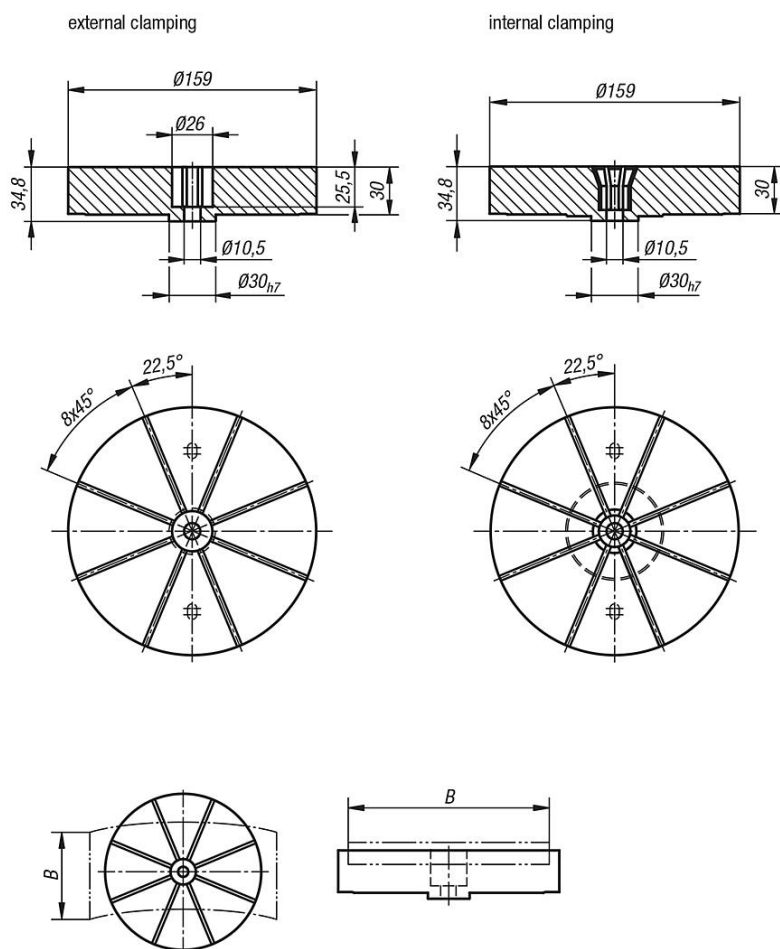
Clamping range 0.2 mm.

Tension cone 03179-1024 is required for the collet version for internal clamping.

### Accessory:

Tension cone 03179-1024

## Drawings



The workpiece width "B" should be maximum 90% of the collet diameter.  
In special cases the workpiece may also project over the collet.

## Overview of items

Order No.	Version 2	Clamping range min. - max.	Milling depth min./max.	Workpiece weight max. (kg)
03179-116030	for external clamping	$\varnothing 30 - \varnothing 140$	1-20	25
03179-216030	for internal clamping	$\varnothing 30 - \varnothing 140$	1-20	25