

Adapter for collet

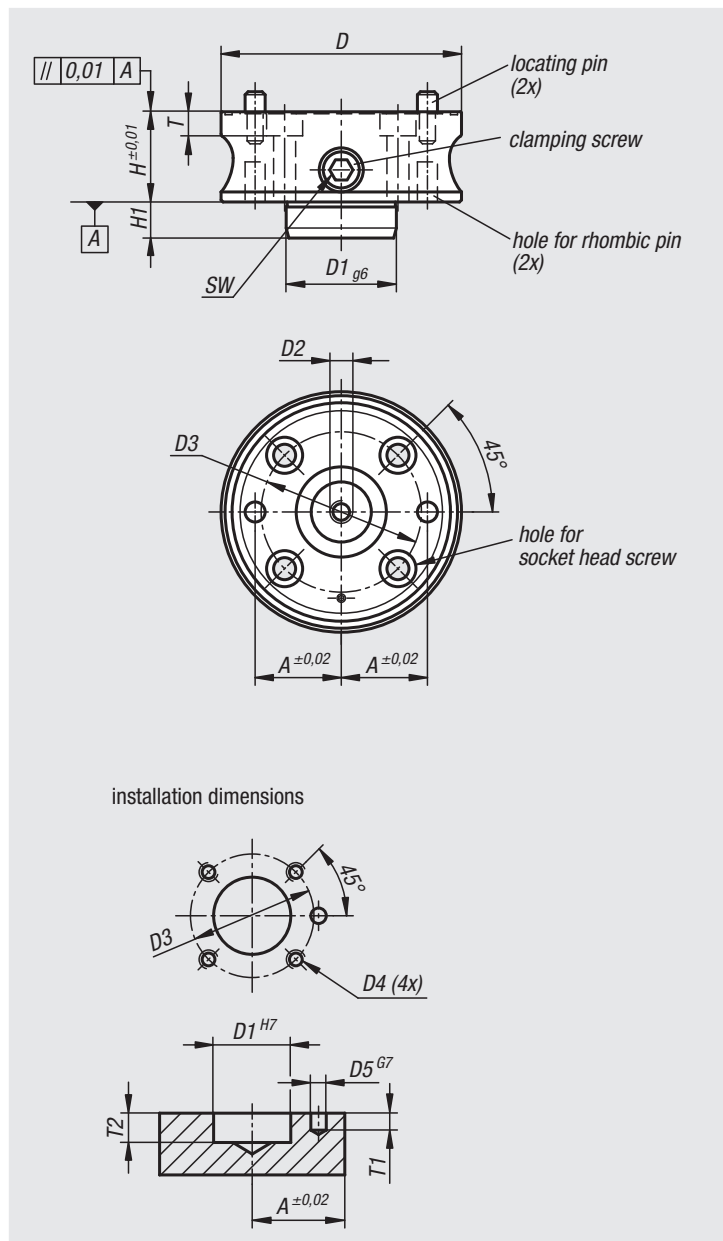


Material:
Carbon steel.

Version:
nickel-plated.

Sample order:
nlm 03167-065

Note:
With this adaptor, collets for internal and external clamping can be mounted.
The workpiece is clamped by tightening the screw on the side.
A dowel pin is used to secure the adaptor against rotation.
The collet is positioned on the adaptor with 2 dowel pins.



Order No.	A	D	D1	D2	D3	D4	D5	H	H1	SW	T	T1	T2	for screws	Tightening torque max. Nm	F1=Max. outer clamping (kN)	F2=Max. internal clamping (kN)
03167-065	22	65	28	M8	42	M6x1	6	35	12	8	8	6	13	M6	15	4,5	4,5
03167-090	30	90	42	M10	60	M8x1,25	8	40	14	8	10	8	15	M8	25	7	7
03167-120	43	120	55	M10	80	M10x1,5	10	45	18	10	12	11	19	M10	40	10	10
03167-160	60	160	63	M12	110	M12x1,75	12	50	24	10	14	13	25	M12	40	12	10

01000
02000
03000
04000
05000
06000
07000
08000
09000
10000
12000