

Locating bushes

for pneumatic locating cylinder



Material:

Carbon steel.

Version:

nickel-plated.

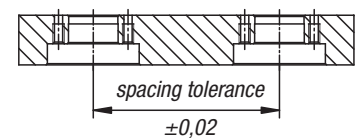
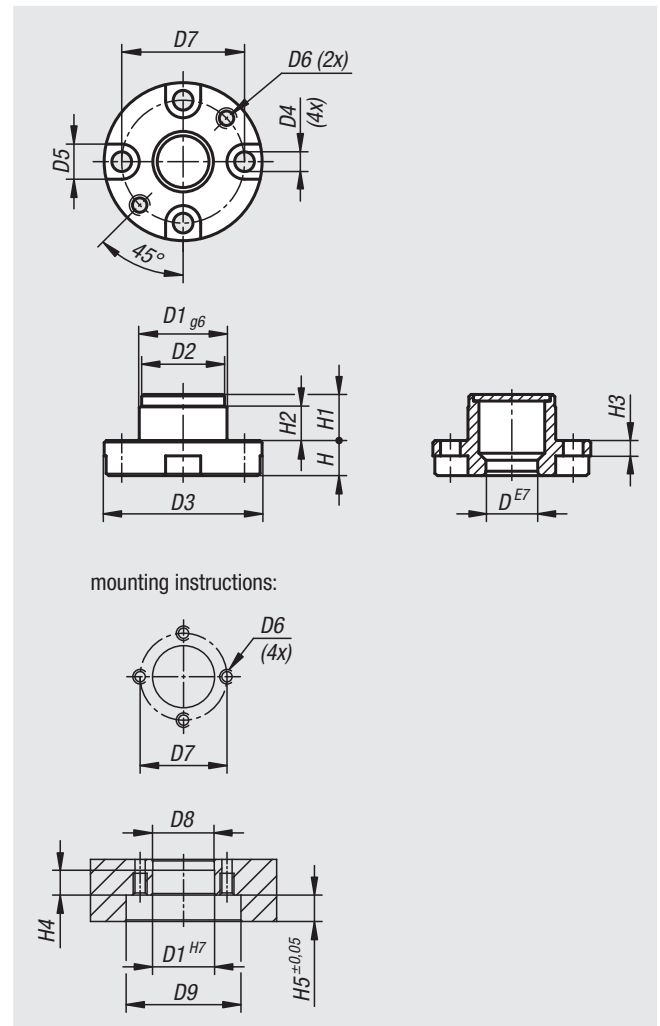
Sample order:

nIm 03162-12

Note:

Locating bushes are placed in a fixture or interchangeable subplate and form the counterpart to the locating cylinder. The locating bushes are centred in a reamed hole and then fastened with 4 screws.

The balls of the locating cylinder engage in the groove in the locating bush, thereby forming a fast, secure and highly accurate changeover unit, and reducing setup and changeover times.



Order No.	D	D1	D2	D3	D4	D5	D6	D7	D8	D9	H	H1	H2	H3	H4	H5
03162-12	12,1	20	19,6	36	4,5	8	M4	28	19,8	37	8	10,5	7,5	3,5	8	8,5
03162-16	16,1	25	24,6	44	5,5	9,5	M5	34	24,8	45	9,5	11	7	4	7,5	10