

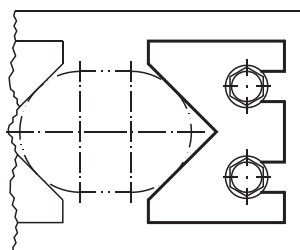
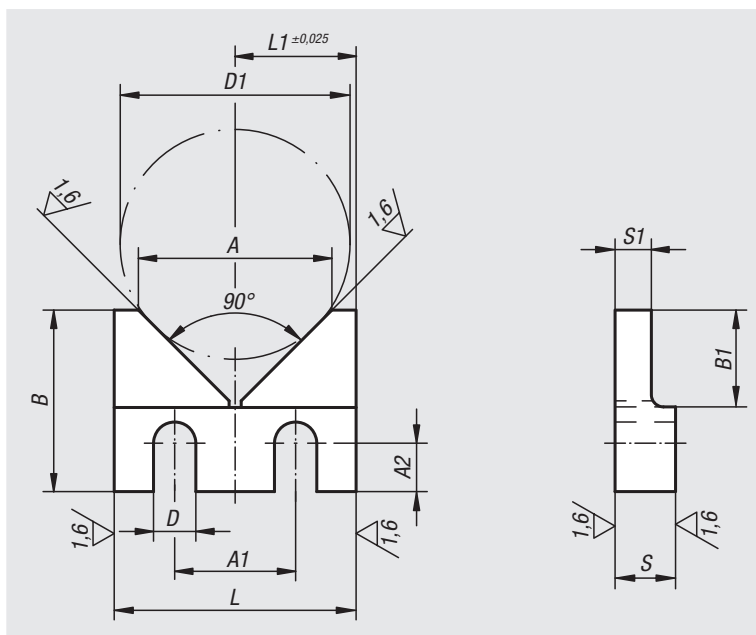
Centring V



Material:
Carbon steel 1.1181.

Version:
Black oxidised.

Sample order:
nlm 03160-02



Order No.	L	L1	B	B1	S	S1	D	D1 max.	A	A1	A2
03160-01	40	20	30	16	10	6	7	38	32	20	8
03160-02	50	25	40	20	12	8	9	46	40	25	12
03160-03	63	31,5	50	25	16	10	11	58	50	32	16