

## Item description/product images



## Description

## Material:

Stainless steel 1.4548.

## Version:

Hardened to min. 40 HRC, bright.

## Note:

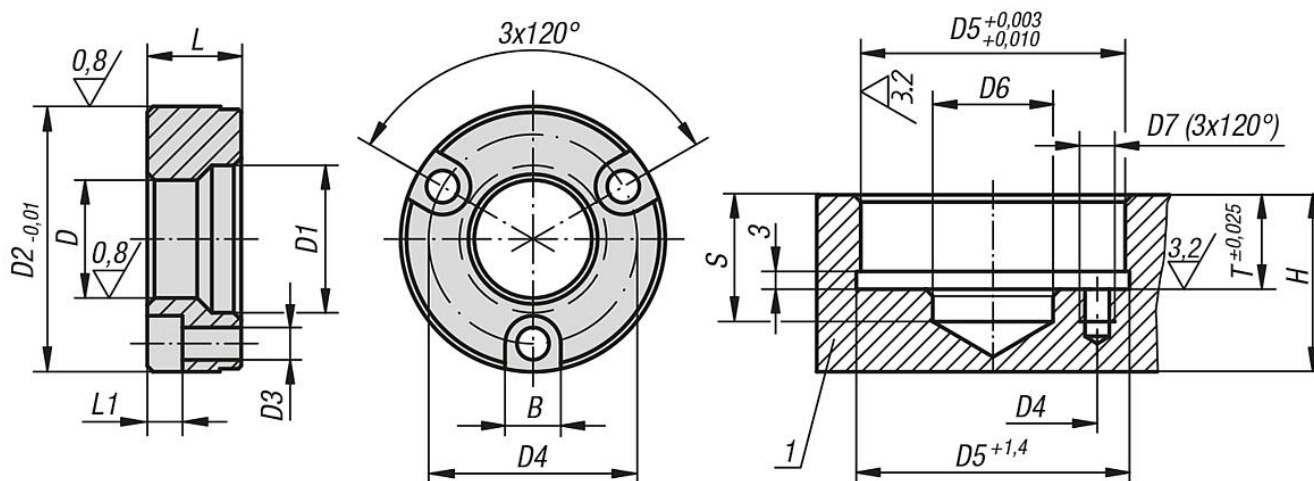
Fastening screws included.

## Drawing reference:

1) grid plate



## Drawings



## Overview of items

Order No.	D	D1	D2	D3	D4	L	L1	B	D5	D6	D7	S	T	Min. grid plate thickness H
03156-02-13	13	17,3	34,99	4,4	25	11,56	4,5	7,6	35	13,5	M4x7	20	11,91	20
03156-02-16	16	20,7	36,99	4,4	29	11,56	4,5	7,6	37	21	M4x7	20	11,91	20
03156-02-20	20	24,8	44,99	5,4	35	15,82	6	9,5	45	21	M5x9	25	16,21	25
03156-02-25	25	30,4	54,99	6,4	42	19,94	7	11	55	25,5	M6x10	25	20,32	25
03156-02-30	30	36,2	59,99	6,4	48	21,77	7	11	60	30,5	M6x11	30	22,15	30

Overview of items

---