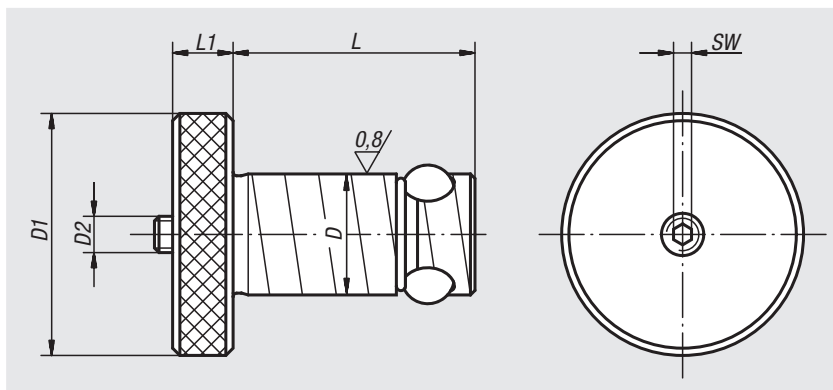


# Locating cylinder, stainless steel

Ball Lock



**Material:**

Locating cylinder and ball stainless steel 1.4542.

**Version:**

Locating cylinder and ball hardened to min. 40 HRC, bright.

**Sample order:**

nIm 03153-02-16020

**Note:**

By tightening the thrust screw (D2) the centre ball is pressed downwards and in turn forces the three locking balls outwards, where they locked in the receiver bush.

**With this easy to use system machine set-up times are up to twelve times shorter than when conventional methods are used.**



Order No.	Grid plate thickness $\pm 0.13$	D	D1	D2	L	L1	SW	Holding force F kN	Tightening torque max. Nm	Order No. Repair Kit
03153-02-13013	13	13	22	M5	27,6	6	2,5	3,3	1,2	03153-02-913013
03153-02-13020	20	13	22	M5	34,6	6	2,5	3,3	1,2	03153-02-913020
03153-02-16020	20	16	32	M6	36,5	8	3	5,3	4,5	03153-02-916020
03153-02-16025	25	16	32	M6	41,5	8	3	5,3	4,5	03153-02-916025
03153-02-20020	20	20	40	M6	39,5	10	3	13,3	5,3	03153-02-920020
03153-02-20025	25	20	40	M6	44,4	10	3	13,3	5,3	03153-02-920025
03153-02-25020	20	25	45	M8	44	10	4	30	11	03153-02-925020
03153-02-25025	25	25	45	M8	49	10	4	30	11	03153-02-925025
03153-02-30020	20	30	50	M10	49	13	5	44	18	03153-02-930020
03153-02-30025	25	30	50	M10	54	13	5	44	18	03153-02-930025
03153-02-35020	20	35	60	M12	51	13	6	68	33	03153-02-935020
03153-02-35025	25	35	60	M12	56	13	6	68	33	03153-02-935025
03153-02-35040	40	35	60	M12	71	13	6	68	33	03153-02-935040
03153-02-35050	50	35	60	M12	81	13	6	68	33	03153-02-935050
03153-02-50020	20	50	75	M20	64	20	10	88	65	03153-02-950020
03153-02-50025	25	50	75	M20	69	20	10	88	65	03153-02-950025
03153-02-50040	40	50	75	M20	84	20	10	88	65	03153-02-950040
03153-02-50050	50	50	75	M20	94	20	10	88	65	03153-02-950050