

Positioning bush steel

for centring units



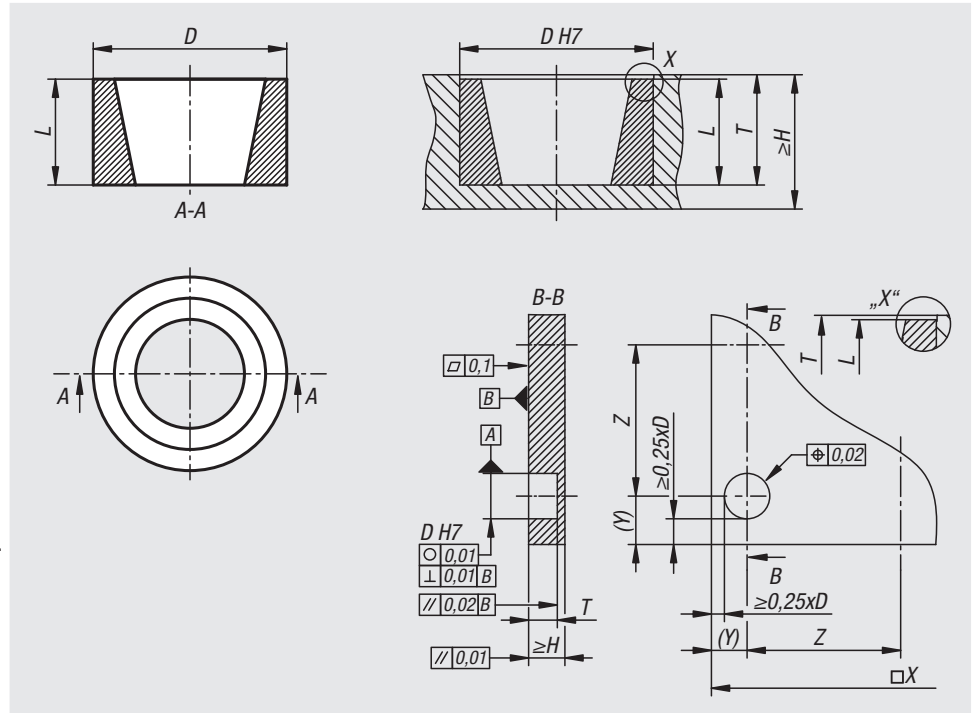
Material:
Steel.

Version:
Hardened and ground.

Sample order:
nlm 03152-11-3

Note:
These positioning bushes match positioning cones.

Temperature range:
+80 °C.



Order No.	Size	D	H min.	L max.	T	for Art. No.
03152-11-1	1	16	12,5	8,5	9-0,1	03152-10-1
03152-11-3	3	32	25	17,5	18-0,1	03152-10-3