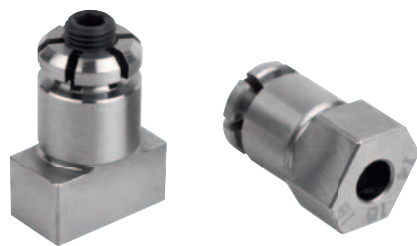


Locating pins expanding



Material:
Carbon steel.

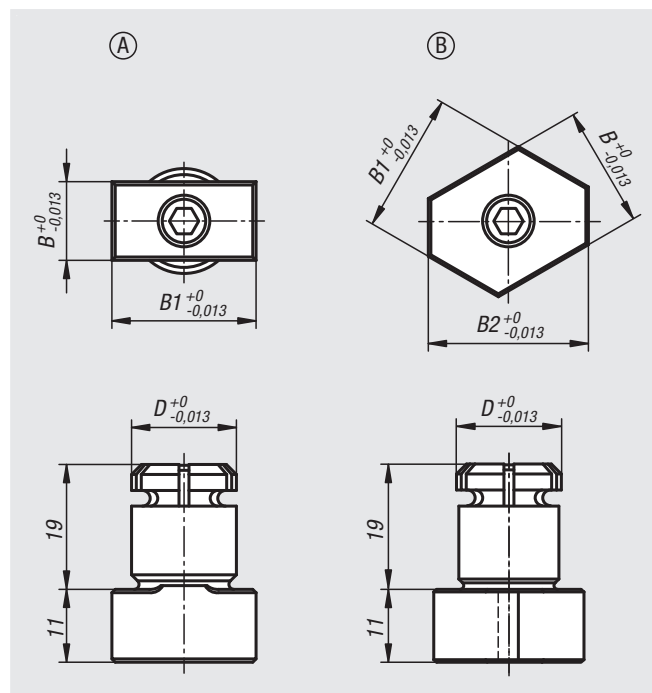
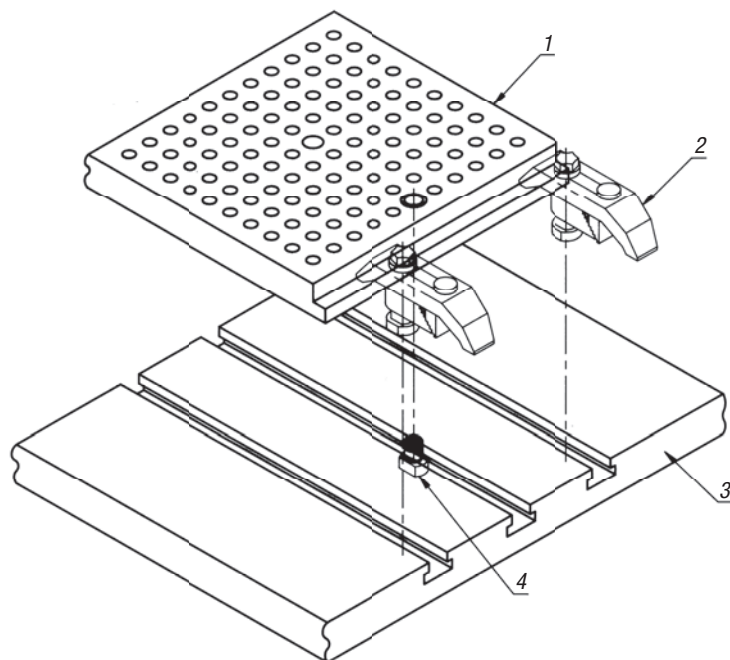
Version:
Tempered and black oxidised.
Locating diameter and guide faces ground.

Sample order:
nlm 03151-1610

Note:
These expanding locating pins enable e.g. tooling plates to be positioned in the T-slots of machine tables (see illustration).
The plates to be positioned must have two holes matching the expanding pin diameter.
The expansion screw has a broached through hexagonal hole allowing the pin to be tightened or loosened from two sides.

Drawing reference:

- 1) tooling plate
- 2) clamp straps
- 3) machine table
- 4) expanding locating pin



Order No.	Form	D	B	B1	B2	Recommended \emptyset
03151-1610	A	16	10	20	-	16,01 \pm 0,01
03151-1612	A	16	12	22	-	16,01 \pm 0,01
03151-1614	B	16	14	16	18	16,01 \pm 0,01
03151-2024	B	20	24	28	32	20,01 \pm 0,01