

## Positioning pins cylindrical

ground

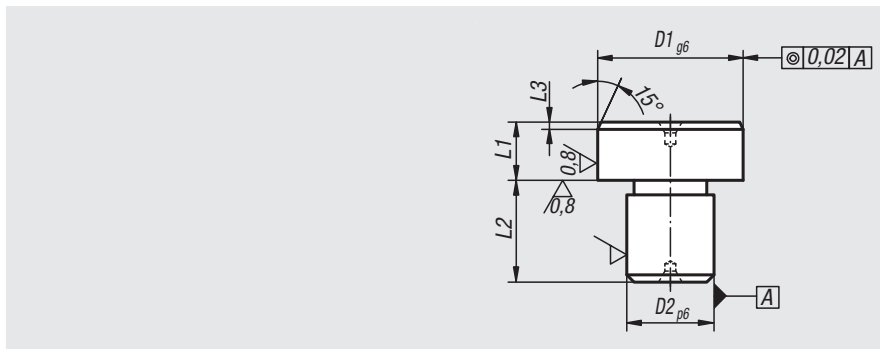
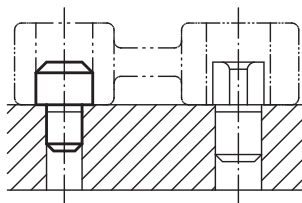


**Material:**  
Tool steel.

**Version:**  
Hardened and ground.

**Sample order:**  
nlm 03120-08

**Note:**  
Top face with centrebore.



Order No.	D1	D2	L1	L2	L3
03120-05	8	5	8	8	2
03120-07	10	7	8	8	2
03120-08	12	8	8	10	2
03120-081	14	8	8	10	3
03120-09	16	9	8	12	3
03120-12	18	12	8	12	3
03120-121	20	12	8	14	3
03120-14	22	14	8	14	3
03120-16	25	16	8	16	3

## Positioning pins cylindrical

not ground

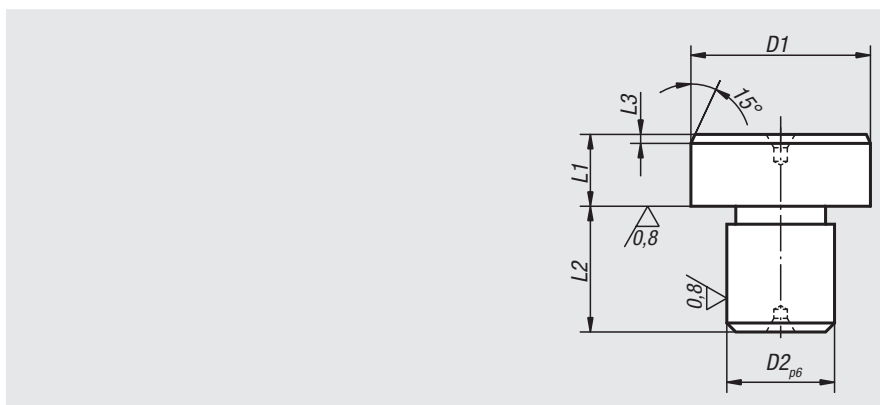
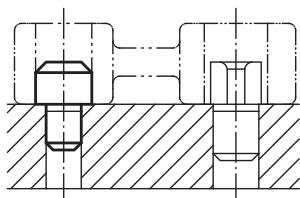


**Material:**  
Tool steel.

**Version:**  
Hardened.

**Sample order:**  
nlm 03130-05

**Note:**  
Top face with centrebore.



Order No.	D1	D2	L1	L2	L3
03130-05	8,5	5	8	8	2
03130-07	10,5	7	8	8	2
03130-08	12,5	8	8	10	2
03130-081	14,5	8	8	10	3
03130-09	16,5	9	8	12	3
03130-12	18,5	12	8	12	3
03130-121	20,5	12	8	14	3
03130-14	22,5	14	8	14	3
03130-16	25,5	16	8	16	3