

Centring pins

for aligning hole



Material:

Steel.

Version:

Case-hardened.

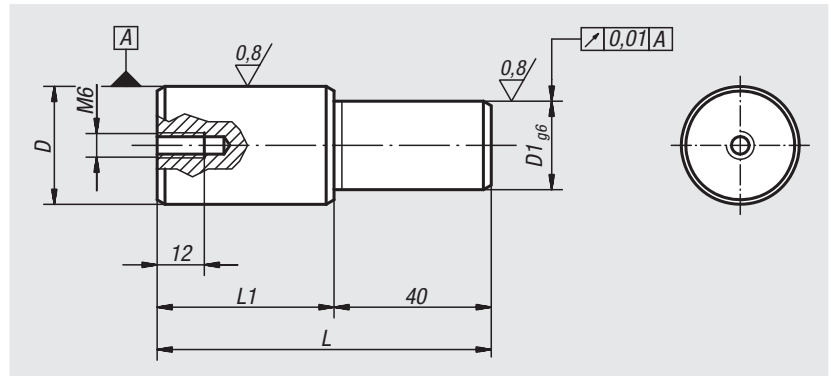
Toleranced diameter ground.

Sample order:

nIm 03114-2520

Note:

These centring pins are suitable for our subplates 01148.



Order No.	D	D1	L	L1
03114-2520	25 g6	20	75	35
03114-3020	30 h6	20	85	45
03114-3025	30 h6	25	85	45