

Centring pins

for central hole

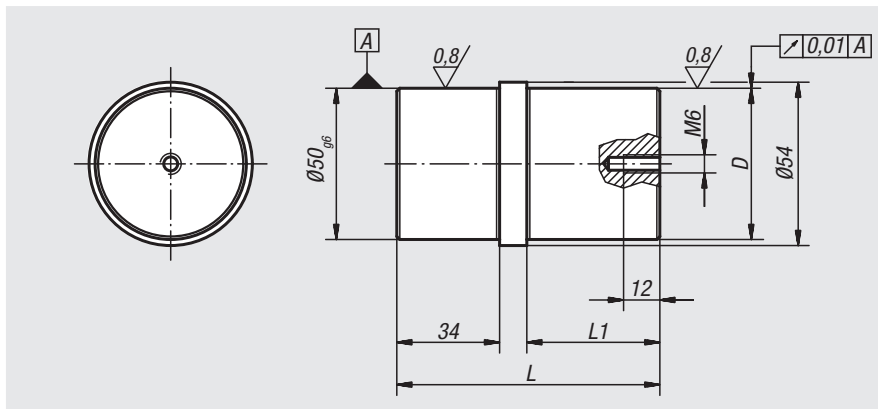


Material:
Steel.

Version:
Case-hardened.
Toleranced diameter ground.

Sample order:
nlm 03110-5025

Note:
These centring pins are suitable for the central holes of our workholding elements 01148, 01263, 01265, 01267 and 01850.



Order No.	D	L	L1
03110-5025	25 g6	77	34
03110-5030	30 h6	87	44
03110-5050	50 g6	87	44

Centring pins

for aligning hole

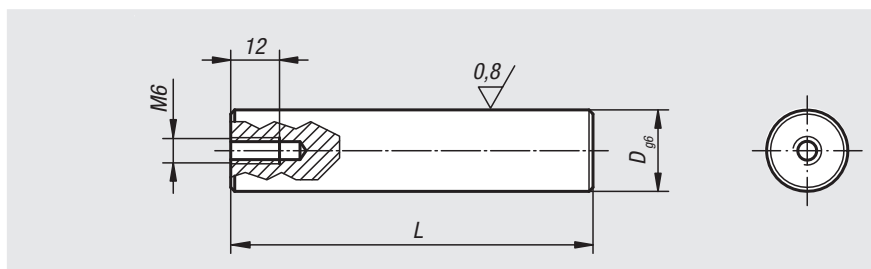


Material:
Steel.

Version:
Case-hardened.
Toleranced diameter ground.

Sample order:
nlm 03112-25125

Note:
These centring pins are suitable for the aligning holes of our workholding elements 01263, 01265 and 01850.



Order No.	D	L
03112-20075	20	75
03112-20089	20	89
03112-25125	25	125