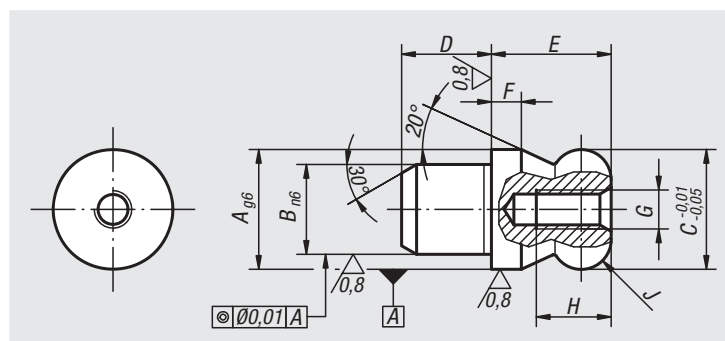
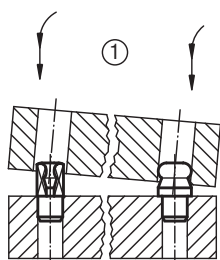


Locating pins

with ball-end Form B



Material:

Tool steel or 1.4305 stainless steel.

Version:

Steel hardened and ground.
Stainless steel ground and kolsterised.

Sample order:

nIm 03108-20

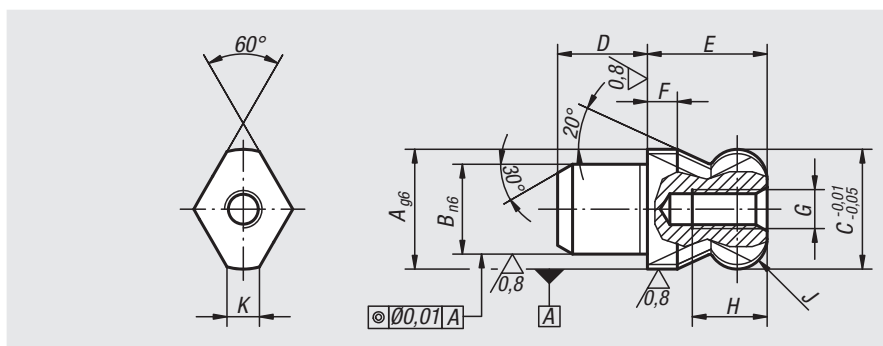
Note:

Ball end locating pins are specially designed to ease the locating process. The tendency to jam, caused by the locating hole not being at right angles to the pin or by the pushing force not being parallel to the pin axis, is minimized by the ball-end form (see illustration).

| Order No. tool steel | Order No. stainless steel | A | B | C | D | E | F | G | H | J |
|-------------------------|------------------------------|----|----|----|----|----|-----|------|-----|-------|
| 03108-06 | 03108-506 | 6 | 4 | 6 | 4 | 6 | 2 | M2,5 | 4,5 | R 1 |
| 03108-08 | 03108-508 | 8 | 6 | 8 | 6 | 8 | 2 | M3 | 6 | R 2 |
| 03108-10 | 03108-510 | 10 | 7 | 10 | 7 | 10 | 2,5 | M3 | 6 | R 2,5 |
| 03108-12 | 03108-512 | 12 | 8 | 12 | 8 | 12 | 3 | M4 | 8 | R 3 |
| 03108-14 | 03108-514 | 14 | 10 | 14 | 10 | 14 | 3,5 | M4 | 8 | R 3,5 |
| 03108-16 | 03108-516 | 16 | 12 | 16 | 12 | 16 | 4 | M5 | 10 | R 4 |
| 03108-20 | 03108-520 | 20 | 14 | 20 | 14 | 20 | 5 | M5 | 10 | R 5 |
| 03108-22 | - | 22 | 16 | 22 | 16 | 22 | 5,5 | M5 | 10 | R 5,5 |
| 03108-25 | - | 25 | 18 | 25 | 18 | 25 | 6 | M5 | 10 | R 6 |

Locating pins

with flattened ball-end Form D



Material:

Tool steel or 1.4305 stainless steel.

Version:

Steel hardened and ground.
Stainless steel ground and kolsterised.

Sample order:

nIm 03108-162

Note:

Ball end locating pins are specially designed to ease the locating process. The tendency to jam, caused by the locating hole not being at right angles to the pin or by the pushing force not being parallel to the pin axis, is minimized by the ball-end form. (See the illustration 1 by 03108 Form B)

| Order No. tool steel | Order No. stainless steel | A | B | C | D | E | F | G | H | J | K |
|-------------------------|------------------------------|----|----|----|----|----|-----|------|-----|-------|------|
| 03108-062 | 03108-5062 | 6 | 4 | 6 | 4 | 6 | 2 | M2,5 | 4,5 | R 1 | 1,7 |
| 03108-082 | 03108-5082 | 8 | 6 | 8 | 6 | 8 | 2 | M3 | 6 | R 2 | 2 |
| 03108-102 | 03108-5102 | 10 | 7 | 10 | 7 | 10 | 2,5 | M3 | 6 | R 2,5 | 2,5 |
| 03108-122 | 03108-5122 | 12 | 8 | 12 | 8 | 12 | 3 | M4 | 8 | R 3 | 2,5 |
| 03108-142 | 03108-5142 | 14 | 10 | 14 | 10 | 14 | 3,5 | M4 | 8 | R 3,5 | 3,76 |
| 03108-162 | 03108-5162 | 16 | 12 | 16 | 12 | 16 | 4 | M5 | 10 | R 4 | 4,3 |
| 03108-202 | 03108-5202 | 20 | 14 | 20 | 14 | 20 | 5 | M5 | 10 | R 5 | 5 |
| 03108-222 | - | 22 | 16 | 22 | 16 | 22 | 5,5 | M5 | 10 | R 5,5 | 5 |
| 03108-252 | - | 25 | 18 | 25 | 18 | 25 | 6 | M5 | 10 | R 6 | 5,6 |