

Locating pins

with ball-end Form A



Material:

Tool steel or 1.4305 stainless steel.

Version:

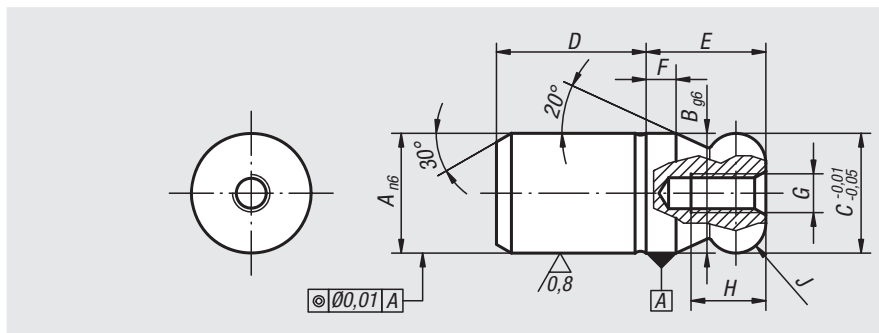
Steel hardened and ground.
Stainless steel ground and kolsterised.

Sample order:

nIm 03107-12

Note:

Ball end locating pins are specially designed to ease the locating process. The tendency to jam, caused by the locating hole not being at right angles to the pin or by the pushing force not being parallel to the pin axis, is minimized by the ball-end form. (See the illustration 1 by 03108 Form B)



Order No. tool steel	Order No. stainless steel	A	B	C	D	E	F	G	H	J
03107-05	03107-505	5	5	5	6	5	2	M2,5	4,5	R 1
03107-06	03107-506	6	6	6	8	6	2	M3	5	R 1
03107-08	03107-508	8	8	8	10	8	2	M3	6	R 2
03107-10	03107-510	10	10	10	13	10	2,5	M3	6	R 2,5
03107-12	03107-512	12	12	12	15	12	3	M4	8	R 3
03107-14	03107-514	14	14	14	17	14	3,5	M4	8	R 3,5
03107-16	03107-516	16	16	16	20	16	4	M5	10	R 4
03107-20	03107-520	20	20	20	25	20	5	M5	10	R 5
03107-25	-	25	25	25	25	25	6	M5	10	R 6
03107-30	-	30	30	30	30	30	8	M6	12	R 8
03107-40	-	40	40	40	40	40	10	M6	12	R 10
03107-50	-	50	50	50	50	50	12	M6	12	R 12

Locating pins

with flattened ball-end Form C



Material:

Tool steel or 1.4305 stainless steel.

Version:

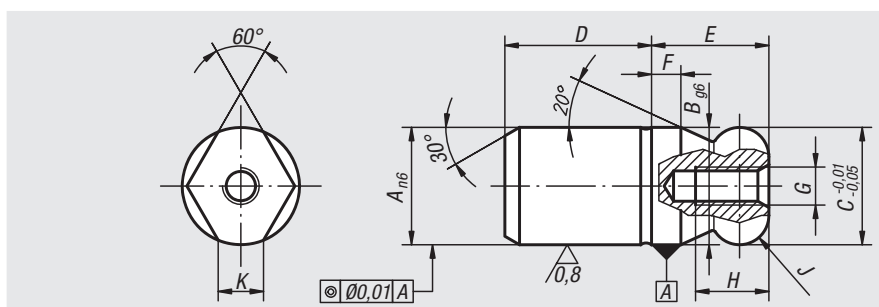
Steel hardened and ground.
Stainless steel ground and kolsterised.

Sample order:

nIm 03107-162

Note:

Ball end locating pins are specially designed to ease the locating process. The tendency to jam, caused by the locating hole not being at right angles to the pin or by the pushing force not being parallel to the pin axis, is minimized by the ball-end form. (See the illustration 1 by 03108 Form B)



Order No. tool steel	Order No. stainless steel	A	B	C	D	E	F	G	H	J	K
03107-052	03107-5052	5	5	5	6	5	2	M2,5	4,5	R 1	1,5
03107-062	03107-5062	6	6	6	8	6	2	M3	5	R 1	1,8
03107-082	03107-5082	8	8	8	10	8	2	M3	6	R 2	1,9
03107-102	03107-5102	10	10	10	13	10	2,5	M3	6	R 2,5	2,5
03107-122	03107-5122	12	12	12	15	12	3	M4	8	R 3	2,5
03107-142	03107-5142	14	14	14	17	14	3,5	M4	8	R 3,5	3,9
03107-162	03107-5162	16	16	16	20	16	4	M5	10	R 4	4,3
03107-202	03107-5202	20	20	20	25	20	5	M5	10	R 5	5
03107-252	-	25	25	25	25	25	6	M5	10	R 6	5,6
03107-302	-	30	30	30	30	30	8	M6	12	R 8	8,8
03107-402	-	40	40	40	40	40	10	M6	12	R 10	12,8
03107-502	-	50	50	50	50	50	12	M6	12	R 12	16,7