

# Barrel slide bolts



**Material:**

Housing die-cast zinc.  
Grip, underlay and slot tabs thermoplastic PA.  
Bolt stainless steel.

**Version:**

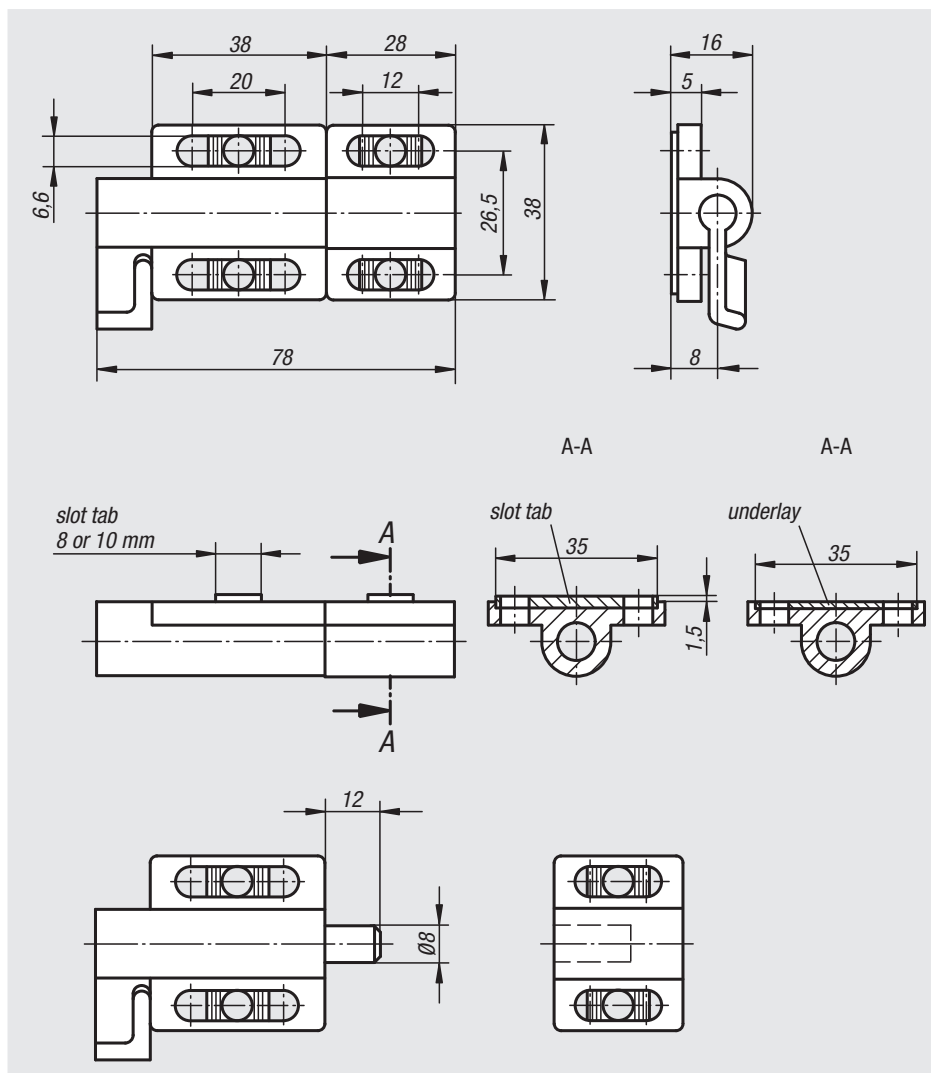
Housing painted silver.  
Grip, underlay and slot tabs black.  
Bolt bright.

**Sample order:**

nlm 03102-38038028

**Note:**

Spring loaded bolt.  
Supplied with:  
- 2 underlays for mounting on level surfaces.  
- 2 of each tabs for mounting on profiles with 8 or 10 mm slots.



Order No.	Spring force initial pressure F1 approx. N	Spring force final pressure F2 approx. N
03102-38038028	5	15