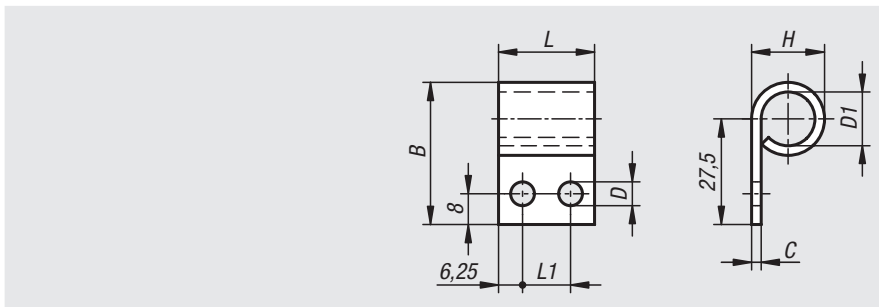


Catch plate aluminium

for barrel locks with return spring



Material:
Aluminium.

Sample order:
nlm 03102-11-2537

Note:
The catch plates can be simply screwed onto the application.

Order No.	B	C	D	D1	H	L	L1
03102-11-2537	37	2,5	6,2	14	19	25	12,5

Notes



01000
02000
03000
04000
05000
06000
07000
08000
09000
10000
12000