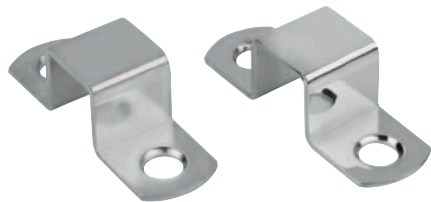


## Catch plates, steel or brass

for barrel locks with return spring



**Material:**

Steel or brass.

**Version:**

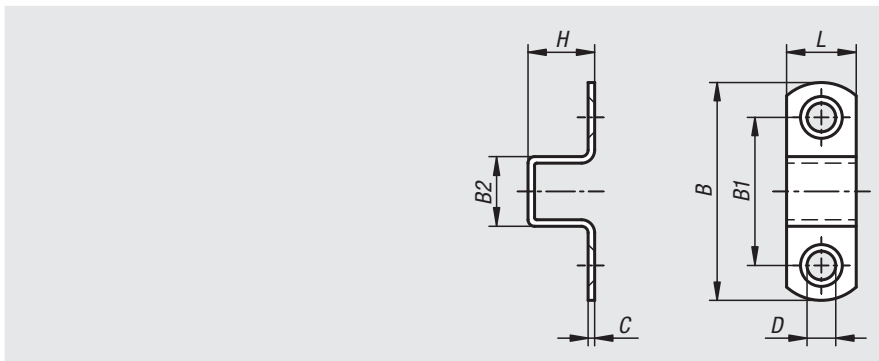
Steel zinc-plated.  
Brass chromed.

**Sample order:**

nIm 03102-06-16500

**Note:**

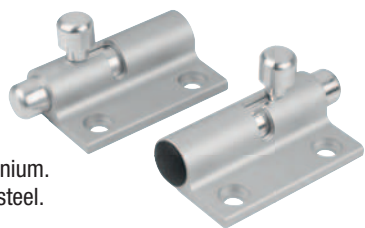
The catch plates can be simply screwed onto the application.



Order No. steel	Order No. brass	B	B1	B2	C	D	H	L
03102-06-11350	03102-06-11351	35	23	11,5	1,2	3,5	11,5	11
03102-06-16500	03102-06-16501	50	34	16	1,5	4,8	16	16
03102-06-22680	03102-06-22651	68,5	43,5	21	2	7	21	22

## Barrel locks with return spring aluminium

grip to left or right



**Material:**

Barrel lock aluminium.  
Spring stainless steel.

**Sample order:**

nIm 03102-10-04036

**Note:**

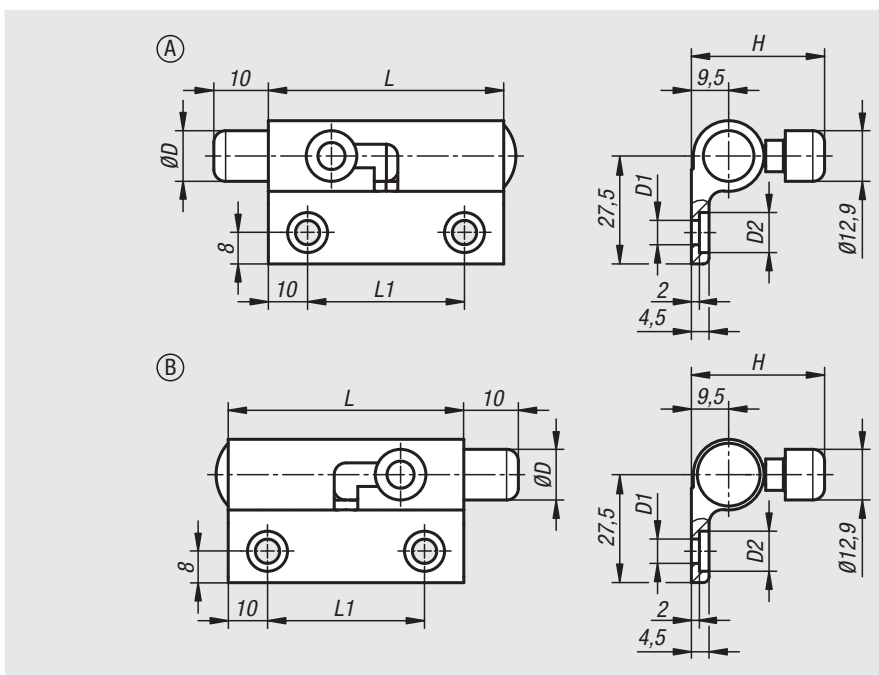
Barrel locks with return spring can be easily screwed onto doors, hatches and hoods. These locks are available in two different variants for left-opening and right-opening doors. The barrel can be latched in the open position. The integrated return spring always brings the grip back to its original position.

**Method of operation:**

When the grip is pushed, the barrel moves into the open position and the door can be opened. If the barrel is not latched in open position, it returns automatically to its original position. The door can be closed only if the grip is held in the open position.

**Accessories:**

Catch plates aluminium 03102-11.



Order No.	Form	Form-Type	B	D	D1	D2	H	L	L1
03102-10-04036	A	left	36,5	12,9	6,2	10,2	34	60	40
03102-10-14036	B	right	36,5	12,9	6,2	10,2	34	60	40