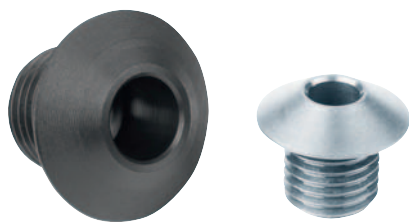


# Positioning bushes

for indexing plungers



**Material:**

Steel or stainless steel 1.4112.

**Version:**

Black oxidised, hardened and ground.

Stainless steel version bright.

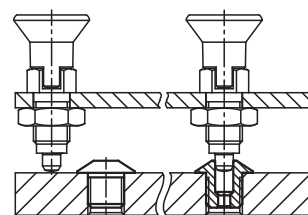
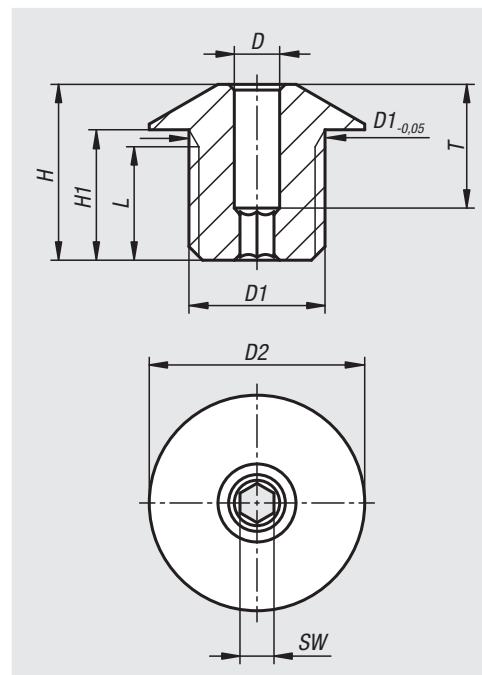
**Sample order:**

nIm 03099-50-04

**Note:**

Positioning bushes suitable for indexing plunger.

Matched with mounting brackets 03099.



Order No.	Main material	D	D1	D2	H	H1	L	SW	T
03099-50-04	steel	4	M12x1,5	19	15,5	11,5	10	3	11
03099-50-05	steel	5	M12x1,5	19	15,5	11,5	10	4	10
03099-50-06	steel	6	M12x1,5	19	15,5	11,5	10	4	10
03099-50-08	steel	8	M16x1,5	26	19,5	14,5	13	6	12
03099-50-10	steel	10	M16x1,5	26	19,5	14,5	13	6	12
03099-50-104	stainless steel	4	M12x1,5	19	15,5	11,5	10	3	11
03099-50-108	stainless steel	8	M16x1,5	26	19,5	14,5	13	6	12
03099-50-105	stainless steel	5	M12x1,5	19	15,5	11,5	10	4	10
03099-50-106	stainless steel	6	M12x1,5	19	15,5	11,5	10	4	10
03099-50-110	stainless steel	10	M16x1,5	26	19,5	14,5	13	6	12