

Cam action indexing plunger

stainless steel, with stop



Material:

Stainless steel 1.4305.

Version:

Bright.
Indexing pin ground, not hardened.

Sample order:

nIm 03099-21-1040616

Note:

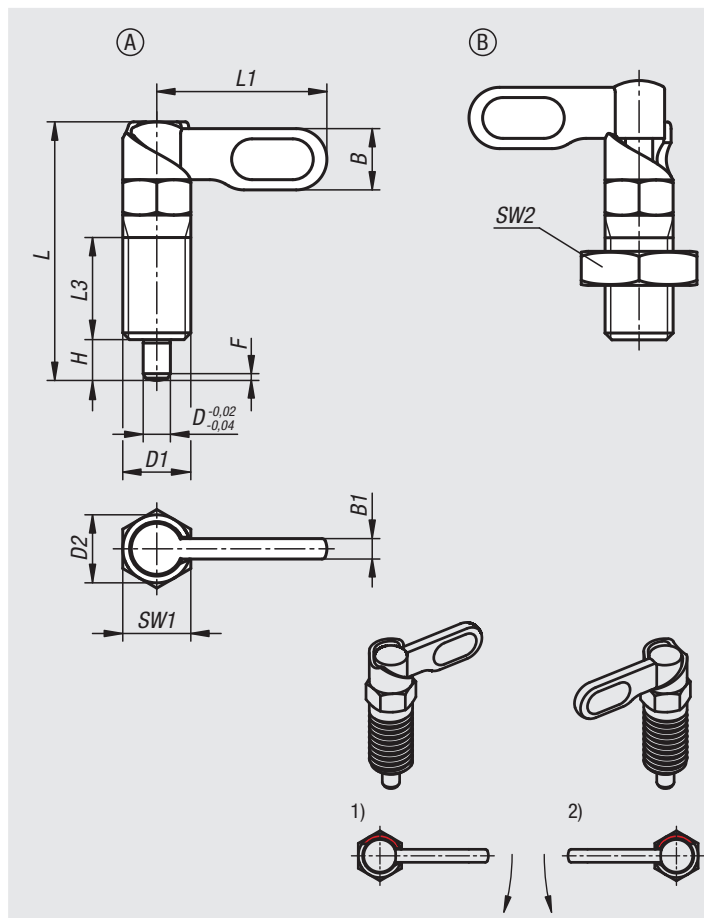
Cam-action indexing plungers are used when the indexing pin should not project all the time. Turning the handle through 180° retracts the pin. A notch ensures that the handle remains in this position. A stop prevents the handle being rotated through more than 180° ensuring that the pin remains retracted.

Selecting which side the stop is on defines the rotation direction of the plunger.

Drawing reference:

Form A: grip uncoated without nut
Form B: grip uncoated with nut

- 1) stop left
- 2) stop right



Order No. Form A	Order No. Form B	Version 2	D	D1	D2	L	L1	L3	B	B1	H	SW1	SW2	Fx30°	Spring force initial pressure F1 approx. N	Spring force final pressure F2 approx. N
03099-21-1040410	03099-21-1050410	left	4	M10	10	38	25	15	9	3	6	10	-17	1	8	14
03099-21-1040510	03099-21-1050510	left	5	M10	10	38	25	15	9	3	6	10	-17	1,3	8	14
03099-21-1040610	03099-21-1050610	left	6	M10	10	38	25	15	9	3	6	10	-17	1,8	8	14
03099-21-1040512	03099-21-1050512	left	5	M12	12	47,8	30	19	10,8	3,6	8	12	-19	1,3	8	15
03099-21-1040612	03099-21-1050612	left	6	M12	12	47,8	30	19	10,8	3,6	8	12	-19	1,8	8	15
03099-21-1040812	03099-21-1050812	left	8	M12	12	47,8	30	19	10,8	3,6	8	12	-19	2,3	8	15
03099-21-1040616	03099-21-1050616	left	6	M16	16	60,4	40	26	14,4	4,8	10	16	-24	1,8	15	35
03099-21-1040816	03099-21-1050816	left	8	M16	16	60,4	40	26	14,4	4,8	10	16	-24	2,3	15	35
03099-21-1041016	03099-21-1051016	left	10	M16	16	60,4	40	26	14,4	4,8	10	16	-24	2,8	15	35
03099-21-10408201	03099-21-10508201	left	8	M20x1,5	20	70	50	30	18	6	12	20	-30	2,3	20	60
03099-21-10410201	03099-21-10510201	left	10	M20x1,5	20	70	50	30	18	6	12	20	-30	2,8	20	60
03099-21-10412201	03099-21-10512201	left	12	M20x1,5	20	70	50	30	18	6	12	20	-30	3	20	60
03099-21-2040410	03099-21-2050410	right	4	M10	10	38	25	15	9	3	6	10	-17	1	8	14
03099-21-2040510	03099-21-2050510	right	5	M10	10	38	25	15	9	3	6	10	-17	1,3	8	14
03099-21-2040610	03099-21-2050610	right	6	M10	10	38	25	15	9	3	6	10	-17	1,8	8	14
03099-21-2040512	03099-21-2050512	right	5	M12	12	47,8	30	19	10,8	3,6	8	12	-19	1,3	8	15
03099-21-2040612	03099-21-2050612	right	6	M12	12	47,8	30	19	10,8	3,6	8	12	-19	1,8	8	15
03099-21-2040812	03099-21-2050812	right	8	M12	12	47,8	30	19	10,8	3,6	8	12	-19	2,3	8	15
03099-21-2040616	03099-21-2050616	right	6	M16	16	60,4	40	26	14,4	4,8	10	16	-24	1,8	15	35
03099-21-2040816	03099-21-2050816	right	8	M16	16	60,4	40	26	14,4	4,8	10	16	-24	2,3	15	35
03099-21-2041016	03099-21-2051016	right	10	M16	16	60,4	40	26	14,4	4,8	10	16	-24	2,8	15	35
03099-21-20408201	03099-21-20508201	right	8	M20x1,5	20	70	50	30	18	6	12	20	-30	2,3	20	60
03099-21-20410201	03099-21-20510201	right	10	M20x1,5	20	70	50	30	18	6	12	20	-30	2,8	20	60
03099-21-20412201	03099-21-20512201	right	12	M20x1,5	20	70	50	30	18	6	12	20	-30	3	20	60

01000
02000
03000
04000
05000
06000
07000
08000
09000
10000
12000