

# Indexing plungers

without collar



## Material:

Steel version:

Indexing pin hardened:  
Sleeve 1.0403 weldable.  
Indexing pin grade 5.8.

Stainless steel version:

Indexing pin hardened:  
Sleeve 1.4301 weldable.  
Indexing pin 1.4034.

Indexing pin not hardened:

Sleeve 1.4301 weldable.  
Indexing pin 1.4305.

Mushroom knob black grey thermoplastic.

## Version:

Steel version:

Indexing pin hardened, ground, black oxidised.

Stainless steel version:

Indexing pin hardened, ground and bright.  
Indexing pin not hardened, ground and bright.

## Sample order:

nIm 03097-01206

## Note:

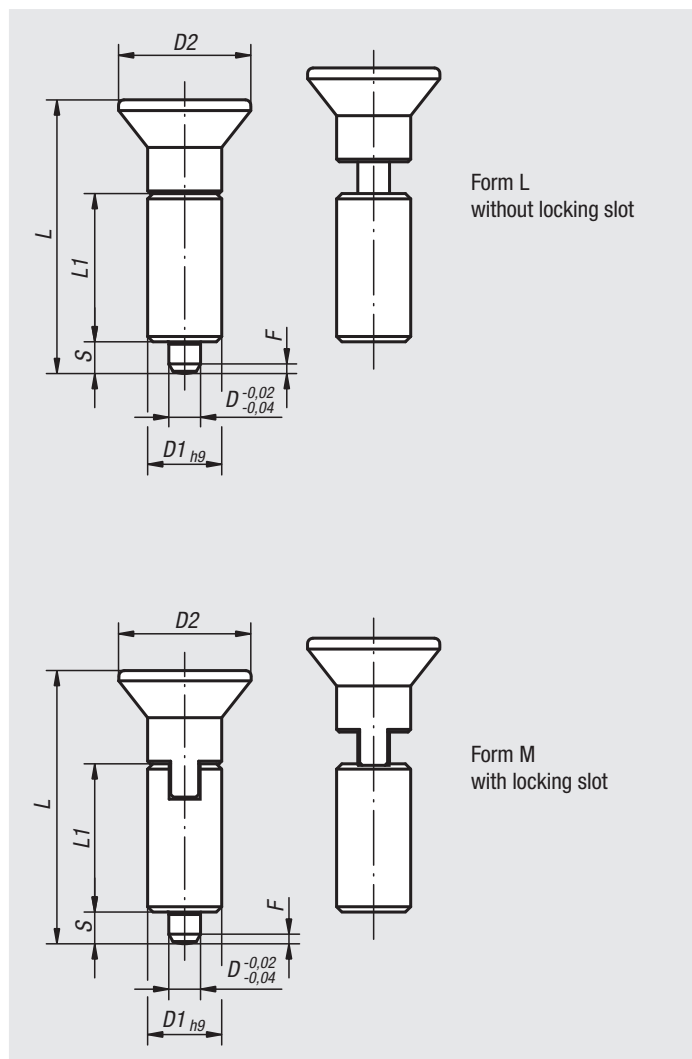
Indexing plungers are used to prevent any change in locking position due to lateral forces. A new locking position can only be set after the pin has been manually disengaged.

Form M is recommended for applications in where the indexing plungers should remain disengaged over extended periods and the pin prevented from springing back.

To weld the indexing plungers we recommend inert gas-shielded welding with TIG welding equipment.

## On request:

Special versions.



# Indexing plungers

without collar

## Indexing plungers without collar, steel, indexing pin hardened

Order No. Form L	Order No. Form M	D	D1	D2	L	L1	Travel S	Fx30°	Spring force initial pressure F1 approx. N	Spring force final pressure F2 approx. N
03097-1004	03097-2004	4	10	18	38,5	21	4	1	6	12
03097-1105	03097-2105	5	12	21	43,5	24	5	1,3	5	12
03097-1206	03097-2206	6	14	25	51,7	28	6	1,8	6	14
03097-1308	03097-2308	8	18	33	68	36	8	2,3	15	35
03097-1410	03097-2410	10	22	33	74	40	10	2,8	15	34

## Indexing plungers without collar, stainless steel, indexing pin hardened

Order No. Form L	Order No. Form M	D	D1	D2	L	L1	Travel S	Fx30°	Spring force initial pressure F1 approx. N	Spring force final pressure F2 approx. N
03097-01004	03097-02004	4	10	18	38,5	21	4	1	6	12
03097-01105	03097-02105	5	12	21	43,5	24	5	1,3	5	12
03097-01206	03097-02206	6	14	25	51,7	28	6	1,8	6	14
03097-01308	03097-02308	8	18	33	68	36	8	2,3	15	35
03097-01410	03097-02410	10	22	33	74	40	10	2,8	15	34

## Indexing plungers without collar, stainless steel, indexing pin not hardened

Order No. Form L	Order No. Form M	D	D1	D2	L	L1	Travel S	Fx30°	Spring force initial pressure F1 approx. N	Spring force final pressure F2 approx. N
03097-11004	03097-12004	4	10	18	38,5	21	4	1	6	12
03097-11105	03097-12105	5	12	21	43,5	24	5	1,3	5	12
03097-11206	03097-12206	6	14	25	51,7	28	6	1,8	6	14
03097-11308	03097-12308	8	18	33	68	36	8	2,3	15	35
03097-11410	03097-12410	10	22	33	74	40	10	2,8	15	34