

Indexing plungers

without collar



Material:

Steel version

Indexing pin hardened:
grade 5.8.

Stainless steel version

Indexing pin hardened:
Threaded sleeve 1.4305.
Indexing pin 1.4034.

Indexing pin not hardened:

Threaded sleeve 1.4305.
Indexing pin 1.4305.

Version:

Steel version:

Indexing pin hardened, ground, black oxidised.

Stainless steel version:

Indexing pin hardened, ground and bright.

Indexing pin not hardened, ground and bright.

Sample order:

nIm 03096-01206

Note:

Indexing plungers are used to prevent any change in locking position due to lateral forces. A new locking position can only be set after the pin has been disengaged.

Special grips can be fitted on the projecting threaded pin. This pin is also suitable for automatic actuation by e.g. program controlled pneumatic cylinder or by remote control using bowden cables.

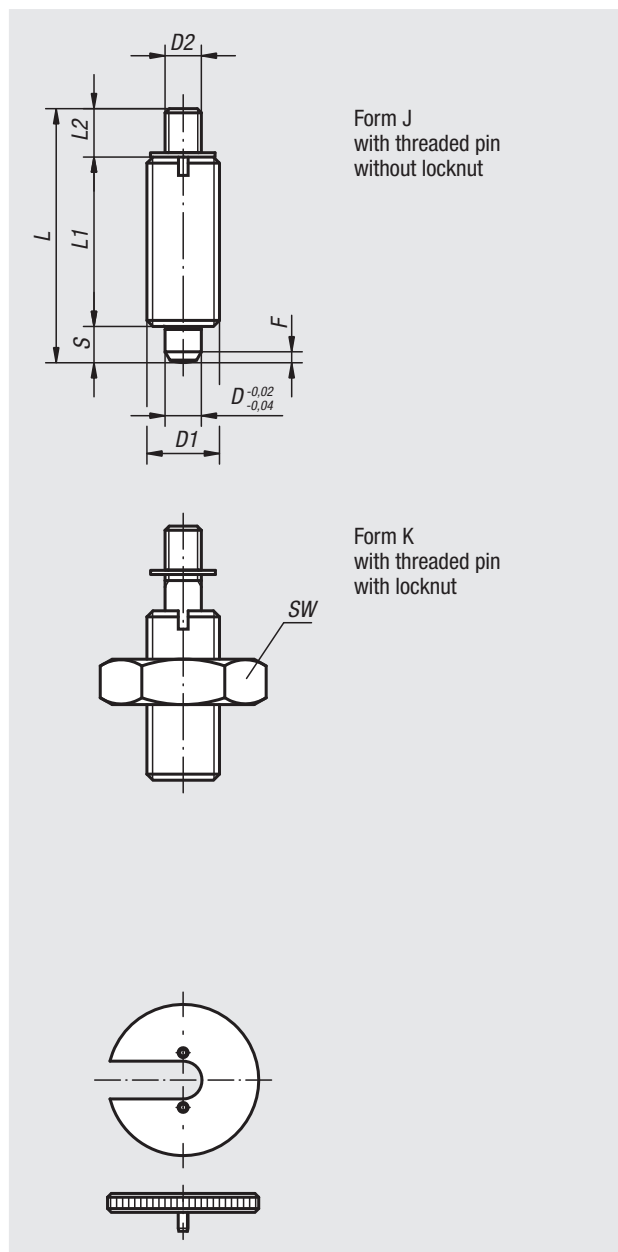
A washer is available to aid screwing in the indexing plungers. The washer is placed on the threaded sleeve so that the carrier pins engage in the slot.

On request:

Special versions.

Accessories:

Spacer rings 03089



Indexing plungers

without collar

Indexing plungers without collar, steel, indexing pin hardened

Order No. Form J	Order No. Form K	D	D1	D2	L	L1	L2	Travel S	SW	Fx30°	Spring force initial pressure F1 approx. N	Spring force final pressure F2 approx. N	Order No. screw-in washer
03096-1903	03096-2903	3	M6x0,75	M2	24	17	3,5	3,5	-/10	0,8	4,5	10	03094-99
03096-1004	03096-2004	4	M8x1	M3	32	21	7	4	-/13	1	6	12	03094-90
03096-1105	03096-2105	5	M10x1	M4	37	24	8	5	-/17	1,3	5	12	03094-91
03096-1206	03096-2206	6	M12x1,5	M6	42	28	8	6	-/19	1,8	6	14	03094-92
03096-1308	03096-2308	8	M16x1,5	M8	56	36	12	8	-/24	2,3	15	35	03094-93
03096-1410	03096-2410	10	M20x1,5	M8	62	40	12	10	-/30	2,8	15	34	03094-94
03096-1412	03096-2412	12	M20x1,5	M8	66	42	12	12	-/30	2,8	15	39	03094-94
03096-1516	03096-2516	16	M24x2	M10	80	50	14	16	-/36	3,2	20	46	03094-95

Indexing plungers without collar, stainless steel, indexing pin hardened

Order No. Form J	Order No. Form K	D	D1	D2	L	L1	L2	Travel S	SW	Fx30°	Spring force initial pressure F1 approx. N	Spring force final pressure F2 approx. N	Order No. screw-in washer
03096-01903	03096-02903	3	M6x0,75	M2	24	17	3,5	3,5	-/10	0,8	4,5	10	03094-99
03096-01004	03096-02004	4	M8x1	M3	32	21	7	4	-/13	1	6	12	03094-90
03096-01105	03096-02105	5	M10x1	M4	37	24	8	5	-/17	1,3	5	12	03094-91
03096-01206	03096-02206	6	M12x1,5	M6	42	28	8	6	-/19	1,8	6	14	03094-92
03096-01308	03096-02308	8	M16x1,5	M8	56	36	12	8	-/24	2,3	15	35	03094-93
03096-01410	03096-02410	10	M20x1,5	M8	62	40	12	10	-/30	2,8	15	34	03094-94
03096-01412	03096-02412	12	M20x1,5	M8	66	42	12	12	-/30	2,8	15	39	03094-94
03096-01516	03096-02516	16	M24x2	M10	80	50	14	16	-/36	3,2	20	46	03094-95

Indexing plungers without collar, stainless steel, indexing pin not hardened

Order No. Form J	Order No. Form K	D	D1	D2	L	L1	L2	Travel S	SW	Fx30°	Spring force initial pressure F1 approx. N	Spring force final pressure F2 approx. N	Order No. screw-in washer
03096-11903	03096-12903	3	M6x0,75	M2	24	17	3,5	3,5	-/10	0,8	4,5	10	03094-99
03096-11004	03096-12004	4	M8x1	M3	32	21	7	4	-/13	1	6	12	03094-90
03096-11105	03096-12105	5	M10x1	M4	37	24	8	5	-/17	1,3	5	12	03094-91
03096-11206	03096-12206	6	M12x1,5	M6	42	28	8	6	-/19	1,8	6	14	03094-92
03096-11308	03096-12308	8	M16x1,5	M8	56	36	12	8	-/24	2,3	15	35	03094-93
03096-11410	03096-12410	10	M20x1,5	M8	62	40	12	10	-/30	2,8	15	34	03094-94
03096-11412	03096-12412	12	M20x1,5	M8	66	42	12	12	-/30	2,8	15	39	03094-94
03096-11516	03096-12516	16	M24x2	M10	80	50	14	16	-/36	3,2	20	46	03094-95

Indexing plungers

without collar



Material:

Steel version

Indexing pin hardened:
grade 5.8.

Stainless steel version

Indexing pin hardened:
Threaded sleeve 1.4305.
Indexing pin 1.4034.

Indexing pin not hardened:

Threaded sleeve 1.4305.
Indexing pin 1.4305.

Key ring 1.4310, bright.

Version:

Steel version:

Indexing pin hardened, ground, black oxidised.

Stainless steel version:

Indexing pin hardened, ground and bright.

Indexing pin not hardened, ground and bright.

Sample order:

nIm 03096-03206

Note:

Indexing plungers are used to prevent any change in locking position due to lateral forces. A new locking position can only be set after the pin has been disengaged.

The key ring is also suitable for actuation of the indexing plungers e.g. automatically (program-controlled) with the aid of a pneumatic cylinder or remote control with bowden cables.

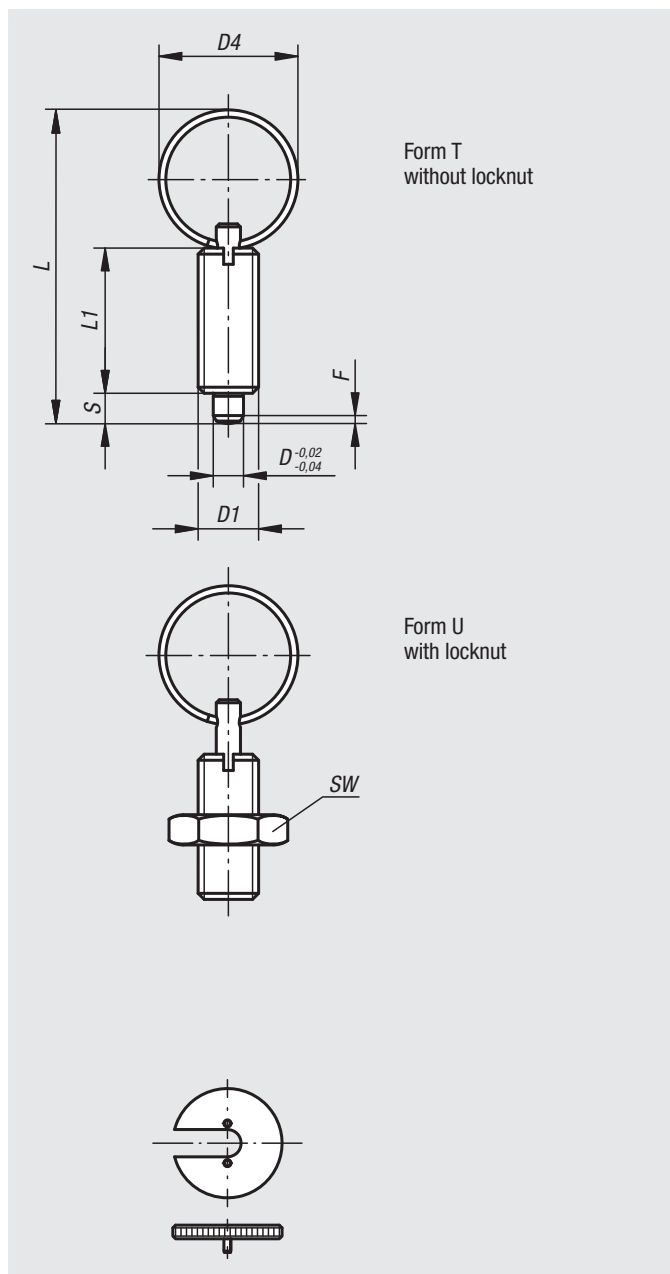
A screw-in washer can be supplied to help screw in the indexing plungers. The washer is fitted onto the threaded sleeve so that the carrier pins engage in the slot.

On request:

Special versions.

Accessories:

Spacer rings 03089



Form T
without locknut

Form U
with locknut

SW

SW

Indexing plungers

without collar

Indexing plungers without collar, steel, indexing pin hardened

Order No. Form T	Order No. Form U	D	D1	D4	L	L1	Travel S	SW	Fx30°	Spring force initial pressure F1 approx. N	Spring force final pressure F2 approx. N	Order No. screw-in washer
03096-3004	03096-4004	4	M8x1	15	40	21	4	-/13	1	6	12	03094-90
03096-3105	03096-4105	5	M10x1	23	52	24	5	-/17	1,3	5	12	03094-91
03096-3206	03096-4206	6	M12x1,5	23	57	28	6	-/19	1,8	6	14	03094-92
03096-3308	03096-4308	8	M16x1,5	28	72	36	8	-/24	2,3	15	35	03094-93
03096-3410	03096-4410	10	M20x1,5	28	78	40	10	-/30	2,8	15	34	03094-94

Indexing plungers without collar, stainless steel, indexing pin hardened

Order No. Form T	Order No. Form U	D	D1	D4	L	L1	Travel S	SW	Fx30°	Spring force initial pressure F1 approx. N	Spring force final pressure F2 approx. N	Order No. screw-in washer
03096-03004	03096-04004	4	M8x1	15	40	21	4	-/13	1	6	12	03094-90
03096-03105	03096-04105	5	M10x1	23	52	24	5	-/17	1,3	5	12	03094-91
03096-03206	03096-04206	6	M12x1,5	23	57	28	6	-/19	1,8	6	14	03094-92
03096-03308	03096-04308	8	M16x1,5	28	72	36	8	-/24	2,3	15	35	03094-93
03096-03410	03096-04410	10	M20x1,5	28	78	40	10	-/30	2,8	15	34	03094-94

Indexing plungers without collar, stainless steel, indexing pin not hardened

Order No. Form T	Order No. Form U	D	D1	D4	L	L1	Travel S	SW	Fx30°	Spring force initial pressure F1 approx. N	Spring force final pressure F2 approx. N	Order No. screw-in washer
03096-13004	03096-14004	4	M8x1	15	40	21	4	-/13	1	6	12	03094-90
03096-13105	03096-14105	5	M10x1	23	52	24	5	-/17	1,3	5	12	03094-91
03096-13206	03096-14206	6	M12x1,5	23	57	28	6	-/19	1,8	6	14	03094-92
03096-13308	03096-14308	8	M16x1,5	28	72	36	8	-/24	2,3	15	35	03094-93
03096-13410	03096-14410	10	M20x1,5	28	78	40	10	-/30	2,8	15	34	03094-94