

Indexing plungers

without collar



Material:

Steel version
Indexing pin hardened:
grade 5.8.

Stainless steel version
Indexing pin hardened:
Threaded sleeve 1.4305.
Indexing pin 1.4034.

Indexing pin not hardened:
Threaded sleeve 1.4305.
Indexing pin 1.4305.

Mushroom knob black-grey thermoplastic.

Version:

Steel version:
Indexing pin hardened, ground, black oxidised.

Stainless steel version:
Indexing pin hardened, ground and bright.
Indexing pin not hardened, ground and bright.

Sample order:

nIm 03094-02206

Note:

Indexing plungers are used to prevent any change in locking position due to lateral forces. A new locking position can only be set after the pin has been manually disengaged.

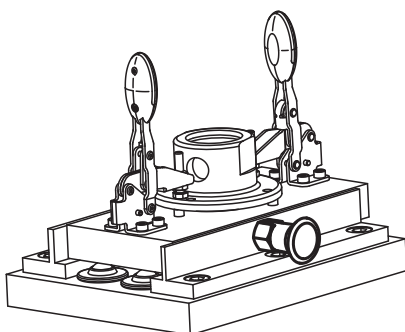
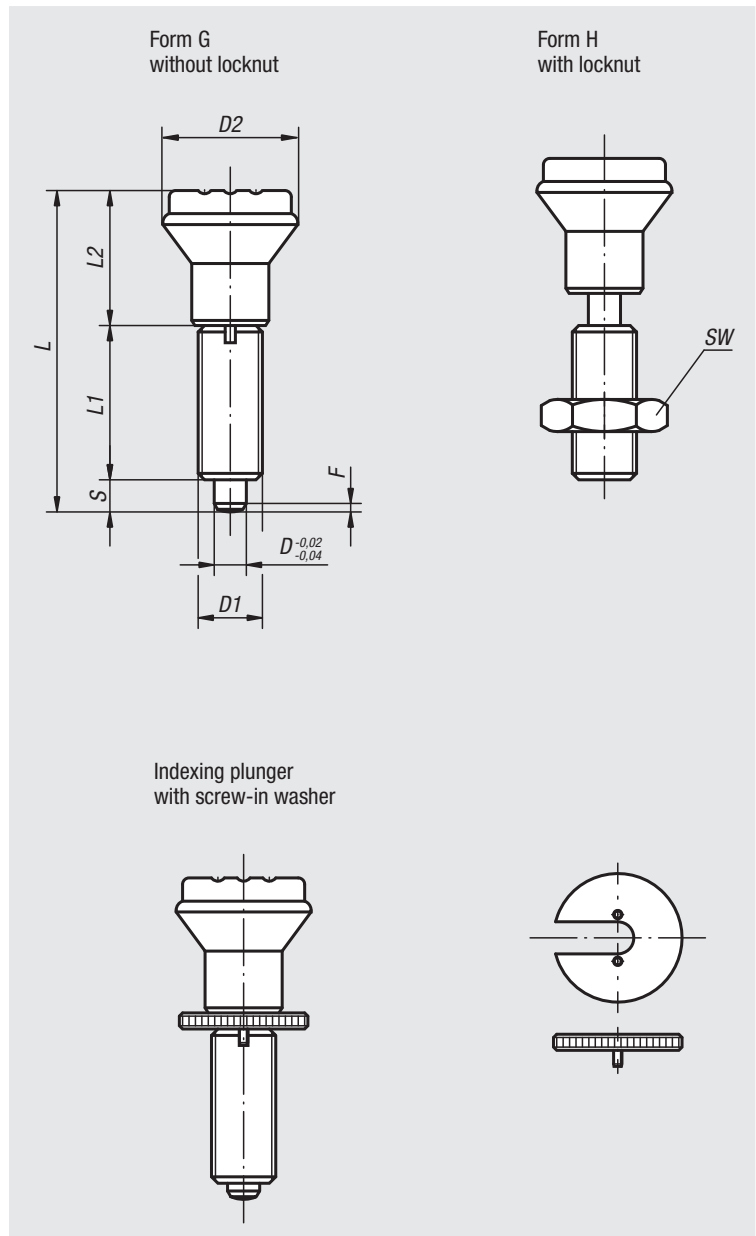
A screw-in washer can be supplied to help screw in the indexing plungers. The washer is slid beneath the disengaged mushroom knob so that the carrier pins engage in the slot.

On request:

Special versions.

Accessories:

Spacer rings 03089



Indexing plungers

without collar

Indexing plungers without collar, steel, indexing pin hardened

Order No. Form G	Order No. Form H	D	D1	D2	L	L1	L2	Travel S	SW	Fx30°	Spring force initial pressure F1 approx. N	Spring force final pressure F2 approx. N	Order No. screw-in washer
03094-1105	03094-2105	5	M10x1	21	47	24	18	5	-/17	1,3	5	12	03094-91
03094-1206	03094-2206	6	M12x1,5	25	56	28	22	6	-/19	1,8	6	14	03094-92
03094-1308	03094-2308	8	M16x1,5	33	74	36	30	8	-/24	2,3	15	35	03094-93
03094-1410	03094-2410	10	M20x1,5	33	80	40	30	10	-/30	2,8	15	34	03094-94

Indexing plungers without collar, stainless steel, indexing pin hardened

Order No. Form G	Order No. Form H	D	D1	D2	L	L1	L2	Travel S	SW	Fx30°	Spring force initial pressure F1 approx. N	Spring force final pressure F2 approx. N	Order No. screw-in washer
03094-01105	03094-02105	5	M10x1	21	47	24	18	5	-/17	1,3	5	12	03094-91
03094-01206	03094-02206	6	M12x1,5	25	56	28	22	6	-/19	1,8	6	14	03094-92
03094-01308	03094-02308	8	M16x1,5	33	74	36	30	8	-/24	2,3	15	35	03094-93
03094-01410	03094-02410	10	M20x1,5	33	80	40	30	10	-/30	2,8	15	34	03094-94

Indexing plungers without collar, stainless steel, indexing pin not hardened

Order No. Form G	Order No. Form H	D	D1	D2	L	L1	L2	Travel S	SW	Fx30°	Spring force initial pressure F1 approx. N	Spring force final pressure F2 approx. N	Order No. screw-in washer
03094-11105	03094-12105	5	M10x1	21	47	24	18	5	-/17	1,3	5	12	03094-91
03094-11206	03094-12206	6	M12x1,5	25	56	28	22	6	-/19	1,8	6	14	03094-92
03094-11308	03094-12308	8	M16x1,5	33	74	36	30	8	-/24	2,3	15	35	03094-93
03094-11410	03094-12410	10	M20x1,5	33	80	40	30	10	-/30	2,8	15	34	03094-94