

# Indexing plungers

without collar



## Material:

Steel version

Indexing pin hardened:  
grade 5.8.

Stainless steel version

Indexing pin hardened:  
Threaded sleeve 1.4305.  
Indexing pin 1.4034.

Indexing pin not hardened:

Threaded sleeve 1.4305.  
Indexing pin 1.4305.

Mushroom knob black-grey thermoplastic.

## Version:

Steel version:

Indexing pin hardened, ground, black oxidised.

Stainless steel version:

Indexing pin hardened, ground and bright.

Indexing pin not hardened, ground and bright.

## Sample order:

nIm 03093-02206

## Note:

Indexing plungers are used to prevent any change in locking position due to lateral forces. A new locking position can only be set after the pin has been manually disengaged.

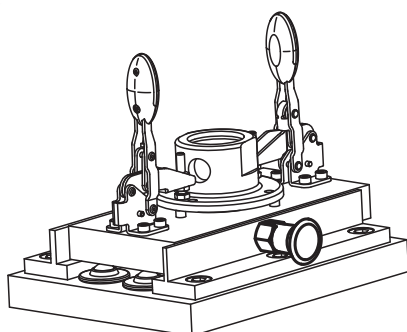
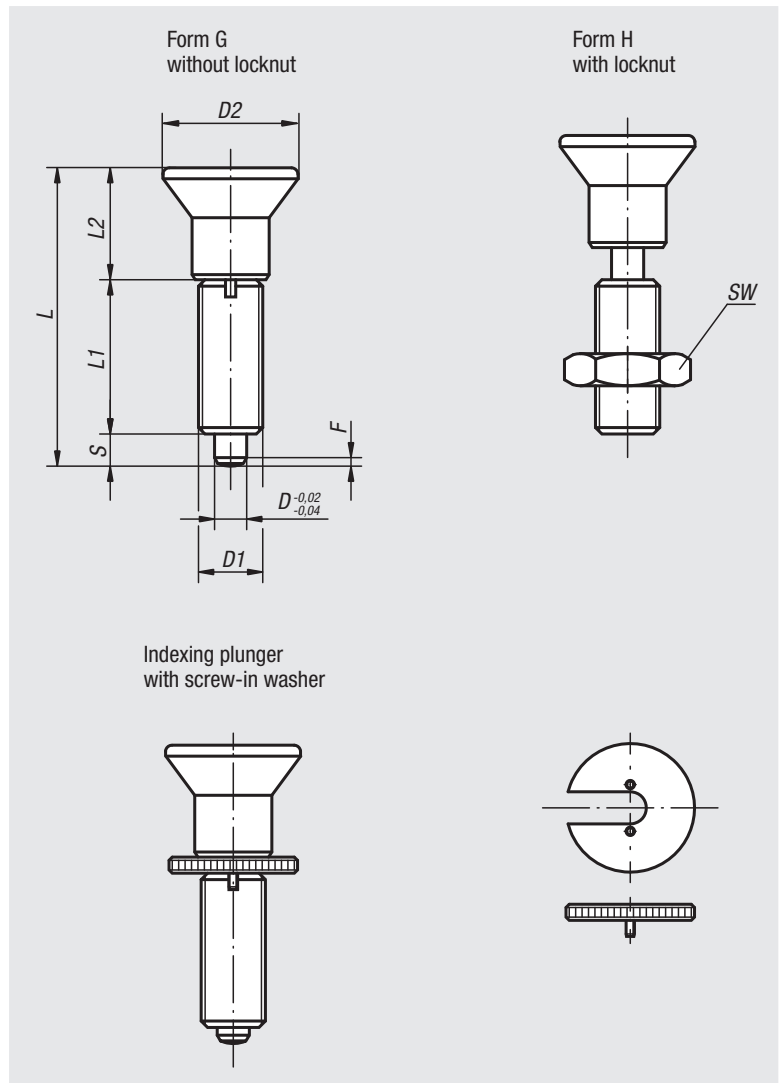
A washer is available to aid by screwing in the indexing plungers. The washer slides beneath the mushroom knob so that the carrier pins engage in the slot.

## On request:

Special versions.

## Accessories:

Spacer rings 03089



## Indexing plungers

without collar

## Indexing plungers without collar, steel, indexing pin hardened

Order No. Form G	Order No. Form H	D	D1	D2	L	L1	L2	Travel S	SW	Fx30°	Spring force initial pressure F1 approx. N	Spring force final pressure F2 approx. N	Order No. screw-in washer
03093-1903	03093-2903	3	M6x0,75	14	31,5	17	11	3,5	- / 10	0,8	4,5	10	03094-99
03093-1004	03093-2004	4	M8x1	18	38,5	21	13,5	4	- / 13	1,3	6	12	03094-90
03093-1105	03093-2105	5	M10x1	21	43,5	24	14,5	5	- / 17	1,3	5	12	03094-91
03093-1206	03093-2206	6	M12x1,5	25	51,7	28	17,7	6	- / 19	1,8	6	14	03094-92
03093-1308	03093-2308	8	M16x1,5	33	68	36	24	8	- / 24	2,3	15	35	03094-93
03093-1410	03093-2410	10	M20x1,5	33	74	40	24	10	- / 30	2,8	15	34	03094-94
03093-1412	03093-2412	12	M20x1,5	33	78	42	24	12	- / 30	2,8	15	39	03094-94
03093-1516	03093-2516	16	M24x2	40	96	50	30	16	- / 36	3,2	20	46	03094-95

## Indexing plungers without collar, stainless steel, indexing pin hardened

Order No. Form G	Order No. Form H	D	D1	D2	L	L1	L2	Travel S	SW	Fx30°	Spring force initial pressure F1 approx. N	Spring force final pressure F2 approx. N	Order No. screw-in washer
03093-01903	03093-02903	3	M6x0,75	14	31,5	17	11	3,5	- / 10	0,8	4,5	10	03094-99
03093-01004	03093-02004	4	M8x1	18	38,5	21	13,5	4	- / 13	1,3	6	12	03094-90
03093-01105	03093-02105	5	M10x1	21	43,5	24	14,5	5	- / 17	1,3	5	12	03094-91
03093-01206	03093-02206	6	M12x1,5	25	51,7	28	17,7	6	- / 19	1,8	6	14	03094-92
03093-01308	03093-02308	8	M16x1,5	33	68	36	24	8	- / 24	2,3	15	35	03094-93
03093-01410	03093-02410	10	M20x1,5	33	74	40	24	10	- / 30	2,8	15	34	03094-94
03093-01412	03093-02412	12	M20x1,5	33	78	42	24	12	- / 30	2,8	15	39	03094-94
03093-01516	03093-02516	16	M24x2	40	96	50	30	16	- / 36	3,2	20	46	03094-95

## Indexing plungers without collar, stainless steel, indexing pin not hardened

Order No. Form G	Order No. Form H	D	D1	D2	L	L1	L2	Travel S	SW	Fx30°	Spring force initial pressure F1 approx. N	Spring force final pressure F2 approx. N	Order No. screw-in washer
03093-11903	03093-12903	3	M6x0,75	14	31,5	17	11	3,5	- / 10	0,8	4,5	10	03094-99
03093-11004	03093-12004	4	M8x1	18	38,5	21	13,5	4	- / 13	1,3	6	12	03094-90
03093-11105	03093-12105	5	M10x1	21	43,5	24	14,5	5	- / 17	1,3	5	12	03094-91
03093-11206	03093-12206	6	M12x1,5	25	51,7	28	17,7	6	- / 19	1,8	6	14	03094-92
03093-11308	03093-12308	8	M16x1,5	33	68	36	24	8	- / 24	2,3	15	35	03094-93
03093-11410	03093-12410	10	M20x1,5	33	74	40	24	10	- / 30	2,8	15	34	03094-94
03093-11412	03093-12412	12	M20x1,5	33	78	42	24	12	- / 30	2,8	15	39	03094-94
03093-11516	03093-12516	16	M24x2	40	96	50	30	16	- / 36	3,2	20	46	03094-95

# Indexing plungers

without collar, extended indexing pin



## Material:

Steel version

Indexing pin hardened:  
grade 5.8.

Stainless steel version

Indexing pin hardened:  
Threaded sleeve 1.4305.  
Indexing pin 1.4034.

Indexing pin not hardened:

Threaded sleeve 1.4305.  
Indexing pin 1.4305.

Mushroom knob black-grey thermoplastic.

## Version:

Steel version:

Indexing pin hardened, ground, black oxidised.

Stainless steel version:

Indexing pin hardened, ground and bright.

Indexing pin not hardened, ground and bright.

## Sample order:

nIm 03093-21004

## Note:

Indexing plungers are used to prevent any change in locking position due to lateral forces. A new locking position can only be set after the pin has been manually disengaged.

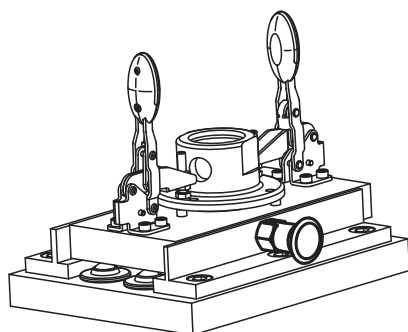
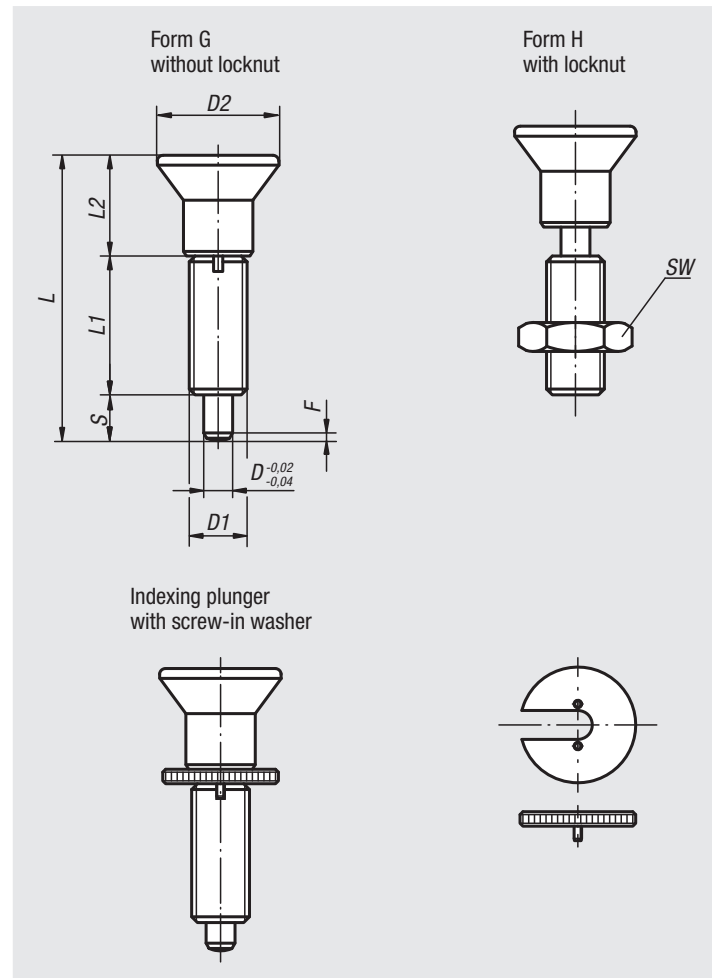
A washer is available to aid by screwing in the indexing plungers. The washer slides beneath the mushroom knob so that the carrier pins engage in the slot.

## On request:

Special versions.

## Accessories:

Spacer rings 03089



# Indexing plungers

without collar, extended indexing pin

## Indexing plungers without collar with extended indexing pin, steel, indexing pin hardened

Order No. Form G	Order No. Form H	D	D1	D2	L	L1	L2	Travel S	SW	Fx30°	Spring force initial pressure F1 approx. N	Spring force final pressure F2 approx. N	Order No. screw-in washer
03093-21903	03093-22903	3	M6x0,75	14	33	17	11	5	- / 10	0,8	4,5	12	03094-99
03093-21004	03093-22004	4	M8x1	18	40,5	21	13,5	6	- / 13	1	6	15	03094-90
03093-21105	03093-22105	5	M10x1	21	46,5	24	14,5	8	- / 17	1,3	5	16	03094-91
03093-21206	03093-22206	6	M12x1,5	25	54,7	28	17,7	9	- / 19	1,8	6	18	03094-92
03093-21308	03093-22308	8	M16x1,5	33	72	36	24	12	- / 24	2,3	15	45	03094-93
03093-21410	03093-22410	10	M20x1,5	33	79	40	24	15	- / 30	2,8	15	43	03094-94
03093-21412	03093-22412	12	M20x1,5	33	84	42	24	18	- / 30	2,8	15	51	03094-94
03093-21516	03093-22516	16	M24x2	40	104	50	30	24	- / 36	3,2	20	60	03094-95

## Indexing plungers without collar with extended indexing pin, stainless steel, indexing pin hardened

Order No. Form G	Order No. Form H	D	D1	D2	L	L1	L2	Travel S	SW	Fx30°	Spring force initial pressure F1 approx. N	Spring force final pressure F2 approx. N	Order No. screw-in washer
03093-201903	03093-202903	3	M6x0,75	14	33	17	11	5	- / 10	0,8	4,5	12	03094-99
03093-201004	03093-202004	4	M8x1	18	40,5	21	13,5	6	- / 13	1	6	15	03094-90
03093-201105	03093-202105	5	M10x1	21	46,5	24	14,5	8	- / 17	1,3	5	16	03094-91
03093-201206	03093-202206	6	M12x1,5	25	54,7	28	17,7	9	- / 19	1,8	6	18	03094-92
03093-201308	03093-202308	8	M16x1,5	33	72	36	24	12	- / 24	2,3	15	45	03094-93
03093-201410	03093-202410	10	M20x1,5	33	79	40	24	15	- / 30	2,8	15	43	03094-94
03093-201412	03093-202412	12	M20x1,5	33	84	42	24	18	- / 30	2,8	15	51	03094-94
03093-201516	03093-202516	16	M24x2	40	104	50	30	24	- / 36	3,2	20	60	03094-95

## Indexing plungers without collar with extended indexing pin, stainless steel, indexing pin not hardened

Order No. Form G	Order No. Form H	D	D1	D2	L	L1	L2	Travel S	SW	Fx30°	Spring force initial pressure F1 approx. N	Spring force final pressure F2 approx. N	Order No. screw-in washer
03093-211903	03093-212903	3	M6x0,75	14	33	17	11	5	- / 10	0,8	4,5	12	03094-99
03093-211004	03093-212004	4	M8x1	18	40,5	21	13,5	6	- / 13	1	6	15	03094-90
03093-211105	03093-212105	5	M10x1	21	46,5	24	14,5	8	- / 17	1,3	5	16	03094-91
03093-211206	03093-212206	6	M12x1,5	25	54,7	28	17,7	9	- / 19	1,8	6	18	03094-92
03093-211308	03093-212308	8	M16x1,5	33	72	36	24	12	- / 24	2,3	15	45	03094-93
03093-211410	03093-212410	10	M20x1,5	33	79	40	24	15	- / 30	2,8	15	43	03094-94
03093-211412	03093-212412	12	M20x1,5	33	84	42	24	18	- / 30	2,8	15	51	03094-94
03093-211516	03093-212516	16	M24x2	40	104	50	30	24	- / 36	3,2	20	60	03094-95

# Indexing plungers stainless steel

without collar



## Material:

Indexing pin hardened:  
Threaded sleeve 1.4305.  
Indexing pin 1.4034.

Indexing pin not hardened:  
Threaded sleeve 1.4305.  
Indexing pin 1.4305.

Mushroom knob 1.4305, electropolished.

## Version:

Bright.  
Indexing pin ground.

## Sample order:

nIm 03093-001004

## Note:

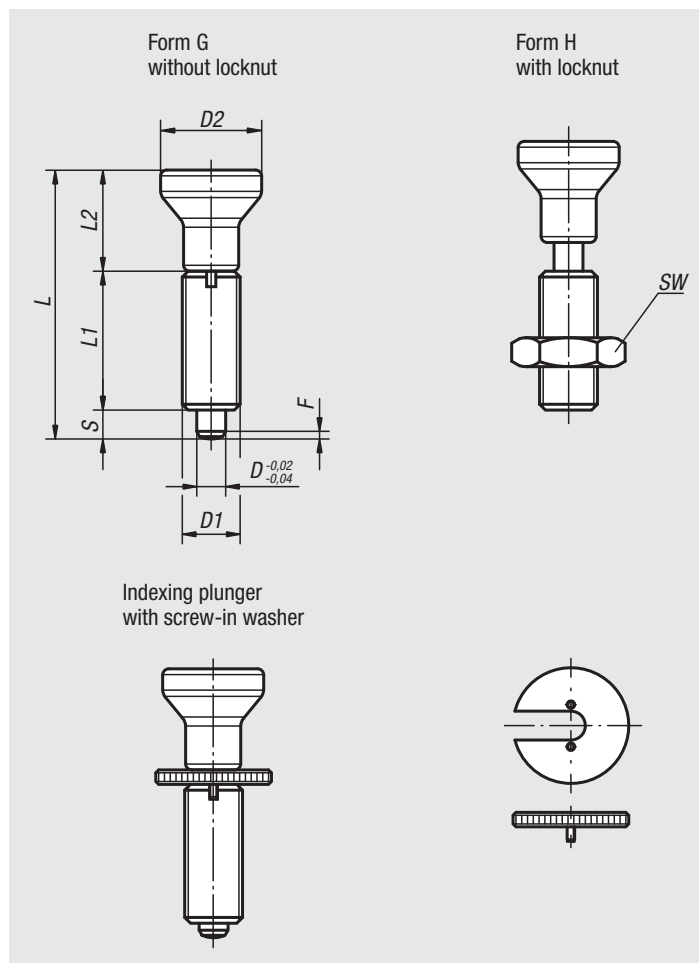
Indexing plungers are used to prevent any change in locking position due to lateral forces. A new locking position can only be set after the pin has been manually disengaged.  
A screw-in washer can be supplied to help screw the indexing plungers in. The washer slides beneath the disengaged mushroom knob so that the follower pins engage in the slot.

## On request:

Special versions.

## Accessories:

Spacer rings 03089



## Indexing plungers stainless steel

without collar

## Indexing plungers stainless steel without collar, indexing pin hardened

Order No. Form G	Order No. Form H	D	D1	D2	L	L1	L2	Travel S	SW	Fx30°	Spring force initial pressure F1 approx. N	Spring force final pressure F2 approx. N	Order No. screw-in washer
03093-001903	03093-002903	3	M6x0,75	14	34,5	17	14	3,5	-/10	0,8	4,5	10	03094-99
03093-001004	03093-002004	4	M8x1	18	43	21	18	4	-/13	1	6	12	03094-90
03093-001105	03093-002105	5	M10x1	21	50	24	21	5	-/17	1,3	5	12	03094-91
03093-001206	03093-002206	6	M12x1,5	25	59	28	25	6	-/19	1,8	6	14	03094-92
03093-001308	03093-002308	8	M16x1,5	33	77	36	33	8	-/24	2,3	15	35	03094-93
03093-001410	03093-002410	10	M20x1,5	33	83	40	33	10	-/30	2,8	15	34	03094-94
03093-001412	03093-002412	12	M20x1,5	33	87	42	33	12	-/30	2,8	15	39	03094-94
03093-001516	03093-002516	16	M24x2	40	106	50	40	16	-/36	3,2	20	46	03094-95

## Indexing plungers stainless steel without collar, indexing pin not hardened

Order No. Form G	Order No. Form H	D	D1	D2	L	L1	L2	Travel S	SW	Fx30°	Spring force initial pressure F1 approx. N	Spring force final pressure F2 approx. N	Order No. screw-in washer
03093-111903	03093-112903	3	M6x0,75	14	34,5	17	14	3,5	-/10	0,8	4,5	10	03094-99
03093-111004	03093-112004	4	M8x1	18	43	21	18	4	-/13	1	6	12	03094-90
03093-111105	03093-112105	5	M10x1	21	50	24	21	5	-/17	1,3	5	12	03094-91
03093-111206	03093-112206	6	M12x1,5	25	59	28	25	6	-/19	1,8	6	14	03094-92
03093-111308	03093-112308	8	M16x1,5	33	77	36	33	8	-/24	2,3	15	35	03094-93
03093-111410	03093-112410	10	M20x1,5	33	83	40	33	10	-/30	2,8	15	34	03094-94
03093-111412	03093-112412	12	M20x1,5	33	87	42	33	12	-/30	2,8	15	39	03094-94
03093-111516	03093-112516	16	M24x2	40	106	50	40	16	-/36	3,2	20	46	03094-95