

Indexing plungers



Material:

Steel version

Indexing pin hardened:
grade 5.8.

Stainless steel version

Indexing pin hardened:
Threaded sleeve 1.4305.
Indexing pin 1.4034.

Indexing pin not hardened:

Threaded sleeve 1.4305.
Indexing pin 1.4305.

Version:

Steel version:

Indexing pin hardened, ground, black oxidised.

Stainless steel version:

Indexing pin hardened, ground and bright.
Indexing pin not hardened, ground and bright.

Sample order:

nIm 03092-02308

Note:

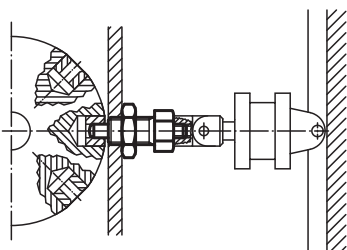
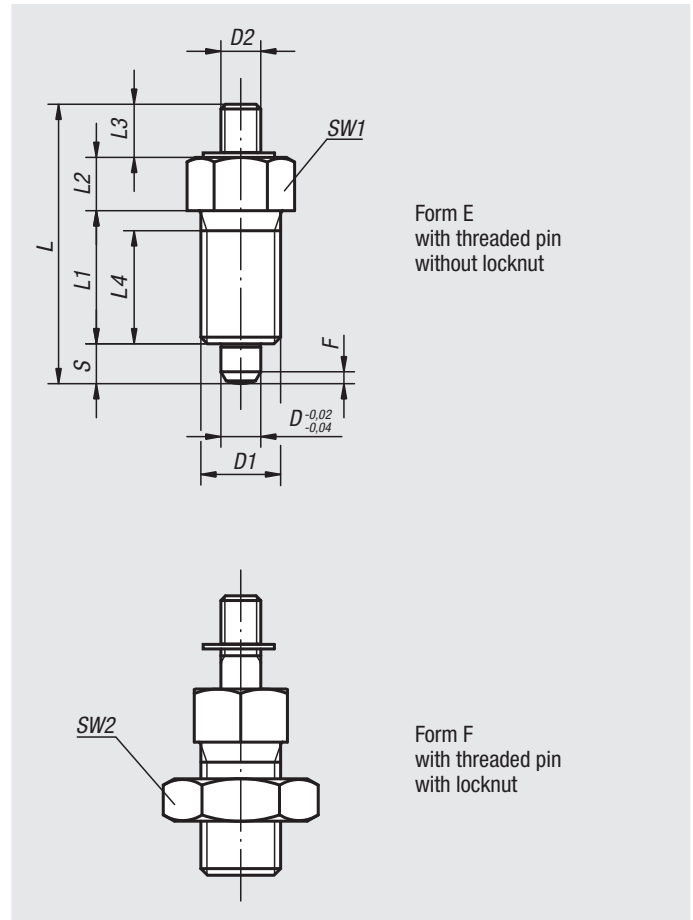
Indexing plungers are used to prevent any change in locking position due to lateral forces. A new locking position can only be set after the pin has been disengaged. Special grips can be fitted on the projecting threaded pin. This pin is also suitable for automatic actuation e.g. programme controlled pneumatic cylinder or by remote control using bowden cables.

On request:

Special versions.

Accessories:

Spacer rings 03089



Indexing plungers

Indexing plungers, steel, indexing pin hardened

Order No. Form E	Order No. Form F	D	D1	D2	L	L1	L2	L3	L4	Travel S	SW1	SW2	Fx30°	Spring force initial pressure F1 approx. N	Spring force final pressure F2 approx. N
03092-1903	03092-2903	3	M6x0,75	M2	24	12	5	3,5	10	3,5	8	- / 10	0,8	4,5	10
03092-1004	03092-2004	4	M8x1	M3	32	15	6	7	13	4	10	- / 13	1	6	12
03092-1105	03092-2105	5	M10x1	M4	37	17	7	8	15	5	13	- / 17	1,3	5	12
03092-1206	03092-2206	6	M12x1,5	M6	42	20	8	8	17	6	14	- / 19	1,8	6	14
03092-1308	03092-2308	8	M16x1,5	M8	56	26	10	12	23	8	19	- / 24	2,3	15	35
03092-1410	03092-2410	10	M20x1,5	M8	62	28	12	12	25	10	22	- / 30	2,8	15	34
03092-1412	03092-2412	12	M20x1,5	M8	66	28	14	12	25	12	22	- / 30	2,8	15	39
03092-1516	03092-2516	16	M24x2	M10	80	32	18	14	28	16	27	- / 36	3,2	20	46

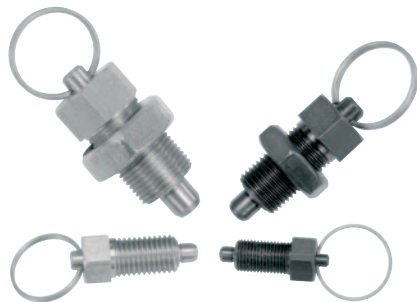
Indexing plungers, stainless steel, indexing pin hardened

Order No. Form E	Order No. Form F	D	D1	D2	L	L1	L2	L3	L4	Travel S	SW1	SW2	Fx30°	Spring force initial pressure F1 approx. N	Spring force final pressure F2 approx. N
03092-01903	03092-02903	3	M6x0,75	M2	24	12	5	3,5	10	3,5	8	- / 10	0,8	4,5	10
03092-01004	03092-02004	4	M8x1	M3	32	15	6	7	13	4	10	- / 13	1	6	12
03092-01105	03092-02105	5	M10x1	M4	37	17	7	8	15	5	13	- / 17	1,3	5	12
03092-01206	03092-02206	6	M12x1,5	M6	42	20	8	8	17	6	14	- / 19	1,8	6	14
03092-01308	03092-02308	8	M16x1,5	M8	56	26	10	12	23	8	19	- / 24	2,3	15	35
03092-01410	03092-02410	10	M20x1,5	M8	62	28	12	12	25	10	22	- / 30	2,8	15	34
03092-01412	03092-02412	12	M20x1,5	M8	66	28	14	12	25	12	22	- / 30	2,8	15	39
03092-01516	03092-02516	16	M24x2	M10	80	32	18	14	28	16	27	- / 36	3,2	20	46

Indexing plungers, stainless steel, indexing pin not hardened

Order No. Form E	Order No. Form F	D	D1	D2	L	L1	L2	L3	L4	Travel S	SW1	SW2	Fx30°	Spring force initial pressure F1 approx. N	Spring force final pressure F2 approx. N
03092-11903	03092-12903	3	M6x0,75	M2	24	12	5	3,5	10	3,5	8	- / 10	0,8	4,5	10
03092-11004	03092-12004	4	M8x1	M3	32	15	6	7	13	4	10	- / 13	1	6	12
03092-11105	03092-12105	5	M10x1	M4	37	17	7	8	15	5	13	- / 17	1,3	5	12
03092-11206	03092-12206	6	M12x1,5	M6	42	20	8	8	17	6	14	- / 19	1,8	6	14
03092-11308	03092-12308	8	M16x1,5	M8	56	26	10	12	23	8	19	- / 24	2,3	15	35
03092-11410	03092-12410	10	M20x1,5	M8	62	28	12	12	25	10	22	- / 30	2,8	15	34
03092-11412	03092-12412	12	M20x1,5	M8	66	28	14	12	25	12	22	- / 30	2,8	15	39
03092-11516	03092-12516	16	M24x2	M10	80	32	18	14	28	16	27	- / 36	3,2	20	46

Indexing plungers



Material:

Steel version

Indexing pin hardened:
grade 5.8.

Stainless steel version

Indexing pin hardened:
Threaded sleeve 1.4305.
Indexing pin 1.4034.

Indexing pin not hardened:

Threaded sleeve 1.4305.
Indexing pin 1.4305.

Key ring 1.4310, bright.

Version:

Steel version:

Indexing pin hardened, ground, black oxidised.

Stainless steel version:

Indexing pin hardened, ground and bright.
Indexing pin not hardened, ground and bright.

Sample order:

nIm 03092-03308

Note:

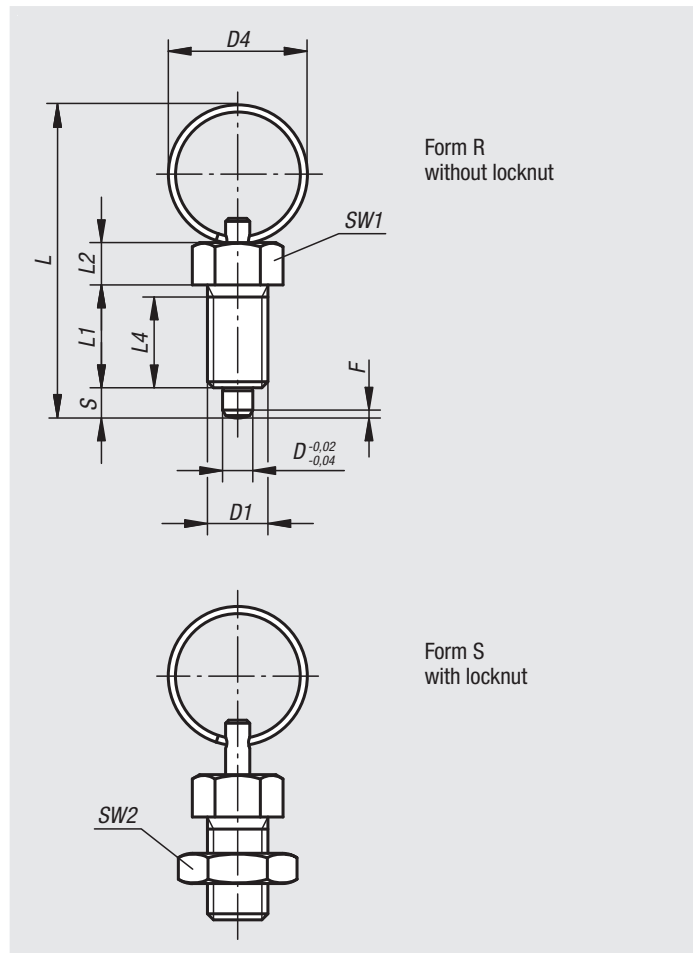
Indexing plungers are used to prevent any change in locking position due to lateral forces. A new locking position can only be set after the pin has been disengaged. The key ring is also suitable for automatic actuation of the indexing plunger by e.g. program-controlled pneumatic cylinder or by remote control using bowden cables.

On request:

Special versions.

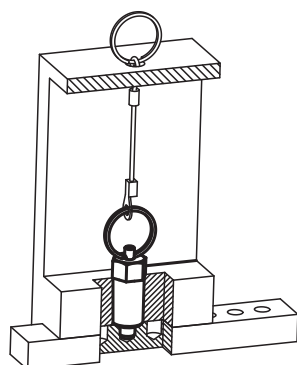
Accessories:

Spacer rings 03089



Form R
without locknut

Form S
with locknut



Indexing plungers

Indexing plungers, steel, indexing pin hardened

Order No. Form R	Order No. Form S	D	D1	D4	L	L1	L2	L4	Travel S	SW1	SW2	Fx30°	Spring force initial pressure F1 approx. N	Spring force final pressure F2 approx. N
03092-3004	03092-4004	4	M8x1	15	40	15	6	13	4	10	- / 13	1	6	12
03092-3105	03092-4105	5	M10x1	23	52	17	7	15	5	13	- / 17	1,3	5	12
03092-3206	03092-4206	6	M12x1,5	23	57	20	8	17	6	14	- / 19	1,8	6	14
03092-3308	03092-4308	8	M16x1,5	28	72	26	10	23	8	19	- / 24	2,3	15	35
03092-3410	03092-4410	10	M20x1,5	28	78	28	12	25	10	22	- / 30	2,8	15	34

Indexing plungers, stainless steel, indexing pin hardened

Order No. Form R	Order No. Form S	D	D1	D4	L	L1	L2	L4	Travel S	SW1	SW2	Fx30°	Spring force initial pressure F1 approx. N	Spring force final pressure F2 approx. N
03092-03004	03092-04004	4	M8x1	15	40	15	6	13	4	10	- / 13	1	6	12
03092-03105	03092-04105	5	M10x1	23	52	17	7	15	5	13	- / 17	1,3	5	12
03092-03206	03092-04206	6	M12x1,5	23	57	20	8	17	6	14	- / 19	1,8	6	14
03092-03308	03092-04308	8	M16x1,5	28	72	26	10	23	8	19	- / 24	2,3	15	35
03092-03410	03092-04410	10	M20x1,5	28	78	28	12	25	10	22	- / 30	2,8	15	34

Indexing plungers, stainless steel, indexing pin not hardened

Order No. Form R	Order No. Form S	D	D1	D4	L	L1	L2	L4	Travel S	SW1	SW2	Fx30°	Spring force initial pressure F1 approx. N	Spring force final pressure F2 approx. N
03092-13004	03092-14004	4	M8x1	15	40	15	6	13	4	10	- / 13	1	6	12
03092-13105	03092-14105	5	M10x1	23	52	17	7	15	5	13	- / 17	1,3	5	12
03092-13206	03092-14206	6	M12x1,5	23	57	20	8	17	6	14	- / 19	1,8	6	14
03092-13308	03092-14308	8	M16x1,5	28	72	26	10	23	8	19	- / 24	2,3	15	35
03092-13410	03092-14410	10	M20x1,5	28	78	28	12	25	10	22	- / 30	2,8	15	34